

AL205
ALUMINIUM SYSTEMS

Sliding System



Creativity in progress

Since 1982

with the raw material of aluminium and our ideas as inspiration, we work with devotion to continually improve the lives of our clients through the creation of a better, safer and more comfortable environment. This is what we mean at ALUMINCO when we say **creativity in progress!**







A distinctive aluminium industry

ALUMINCO represents the first company in the field, which since its foundation in 1982, initiated a new generation of innovative products of cast aluminium in traditional designs, complying with the current architectural and constructional needs.

Today it has been developed into a completely vertical aluminium industry, probably unique in Greece that processes aluminium in three ways:

- Extrusion - with a production capacity of 13.000 tones of profile per year
- Doors & panels - with a production capacity of 70.000 panels per year
- Foundry - with a production capacity of 1.000 tones per year

In ALUMINCO's production center, which is extended into 30.000 sq.m in Inofyta Viotia, 40 km from Athens, the company has integrated aluminium process units, electrostatic powder coatings, montage, finishing and packaging of the products which produces and delivers finished, ready for use.

With integrated solutions for the professional constructor Today, among the architectural and constructional solutions, based on aluminium, that ALUMINCO offers, are included:

- Aluminium Profile Systems
- Aluminium Panels
- Main entrance doors
- Railing systems
- Outdoor living systems

And outstanding corporate strategy

• Restless, innovative spirit

Continuously focusing into research and development of new, improved products and systems which can fully comply with the quality, aesthetics and functionality standards, of the most demanding and fast developing markets of the world. Besides, it's

not an accidental fact that ALUMINCO's export activity covers 60 countries and 5 continents.

• Persistence in quality

With production processes certified by the ISO 9001 & ISO 9014
With dyeing processes based on the QUALICOAT specifications and extra Seaside Class process.

With aluminium systems and railings certified by international institutes and organizations, such as IFT Rosenheim, Bureau Veritas, TUV, INSTITUTO GIORDANO, ICC, EKANAL.

• Great flexibility

To conform to customers' special needs and requirements. Although ALUMINCO produces a great range of products and covers almost every architectural and constructional application, it is always available to design and produce customized products and solutions in order to satisfy even the most demanding ones!





AL205
ALUMINIUM SYSTEMS



INDEX

Identity	8
Advantages	9
Quality Control Methods	10
General Catalogue	11
Profiles 1:1	19
Sections	29
Cutting Calculations	45
Accessories	53
Manual Punch Machine	61
Service Instructions	64

IDENTITY

System with special emphasis on design, exterior while the internal aesthetics (Fig.1).
It stands out for its durability, functionality, compatibility of components and ease of construction.

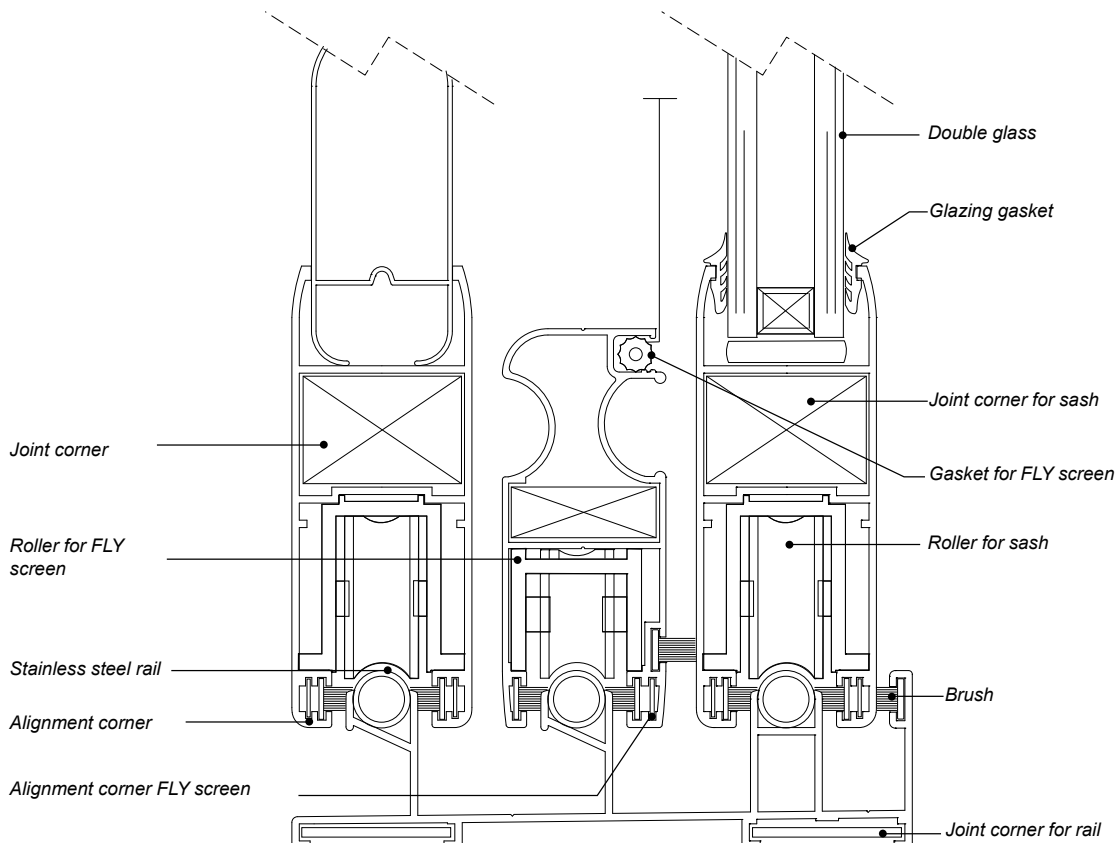
Externally as AL 205 is easily distinguished by its particular characteristics. The strong character lines classify it in a separate location in relation to other systems on the market. The way foreign design makes perfectly visible identity system, distinguishing it from the competition.

In light of the continuous demand for systems and old frames replacement solutions, ALUMINCO proceeded in designing new complementary profile to existing types that allow us to construction recessed frames in masonry gap up to 60,8mm with glass and a screen and up to 94,5mm with glass -Screen - shutter. (Figure 1 / Figure 3 / Figure 4)

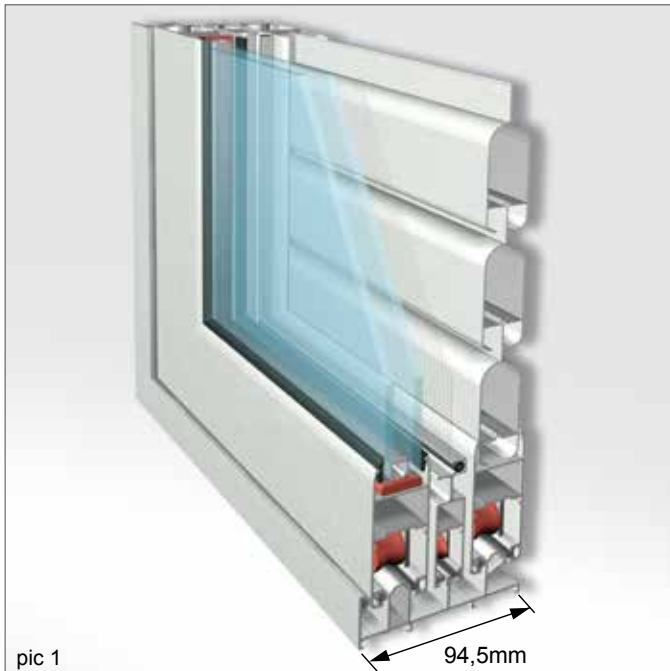
The interior design has a strong emphasis on easy and fast run-off waters. AL 205 is a inox application driver detachable for greater strength and better traffic sheet where there is the possibility of using two-dimensional roller guides (wheel diameter 22mm & 27mm). The planning sheets made with emphasis on the stability of the structure. The chambers open to all angles types and enables the manufacturer to quickly after mounting bolt in the center.

The system includes a wide range of main and auxiliary profiles that provide alternatives construction completion in the most difficult cases. Advantage is that the AL 205, like any integrated system, cooperates with the opening AL 410 for more flexibility and customizable in a variety of structures (Figure 2). At the same time, open multiple locks points providing maximum security.

Finally, the selection of components made with the aim of high quality and ensure the absolute harmonization and their application to the system. The ALUMINCO system is the company's guarantee, which in the long-term experience in the field, sign off on the final result.



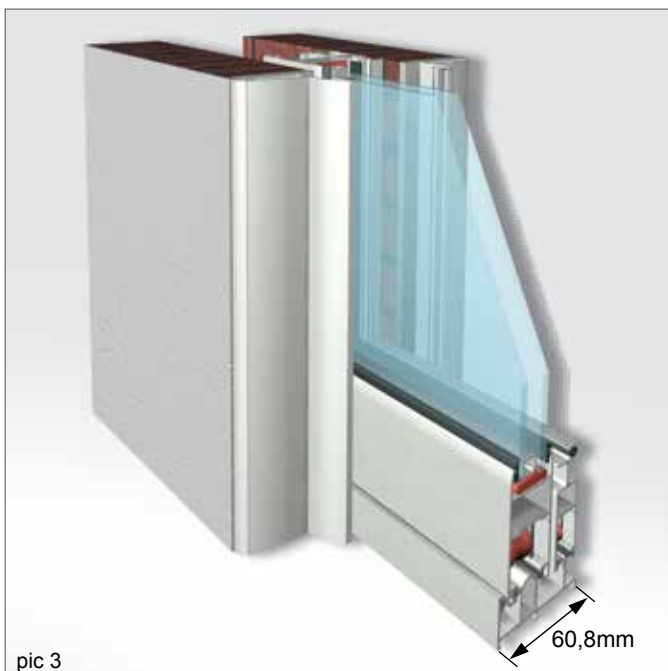
ADVANTAGES 205



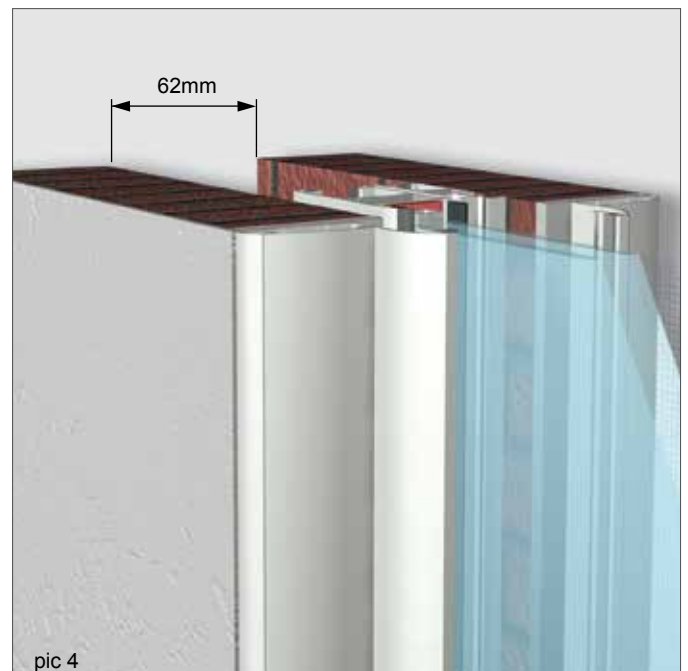
Triple rail section glass, FLY screen & shutter.
Suitable for small wall holes up to 94,5mm.



Combination of opening AL410 with double rail of AL205.
Suitable for school building constructions (overlapping sashes with dormer).



Double rail section glass & FLY screen.
Suitable for small wall holes up to 60,8mm.



AL205 sliding system is ready to give solutions to renovations and reconstructions.

QUALITY CONTROL METHODS

GEOMETRICAL QUALITIES

Dimensions

For a critical nominal dimension of 50 mm, a tolerance of (+/-) 0.40 mm is given, which mean that this dimension may range from 49.60 until 50.40 mm.

Straightness

A permissible rod 3mm long is given for a rod 6 m long. Checking may be carried out by placing the two ends of the rod on a flat surface, in order to limit any deviation due to weight. The arrow in the middle of the rod must not exceed 3 mm.

Distortion

For a profile of median dimensions, a distortion tolerance of 2mm at the end of the rod is given for a rod 5-6 m long. In order to check the distortion, the rod must be placed on a flat surface, the panel side to abut on one end and measure the deviation of the surface on the other side of the rod.

ELECTROSTATIC PAINTING

Appearance

The covering of the critical surface must be examined from the right angle of view from a distance of 2 m (QUALICOAT standards determine a distance of 3 m). Various defects on the surface must not be visible from this distance.



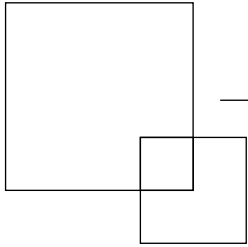
ALUMINCO
ALUMINIUM BUILDING SYSTEMS





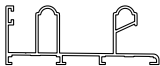
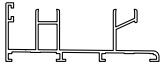
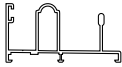


AL205
ALUMINIUM SYSTEMS



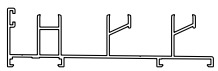





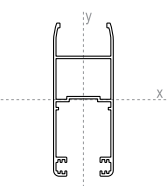
GENERAL CATALOGUE



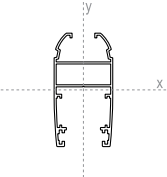
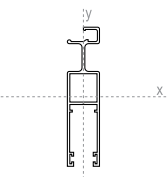
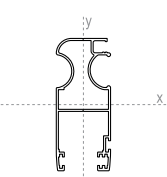
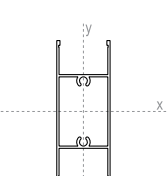
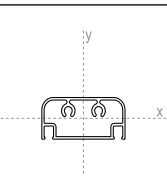
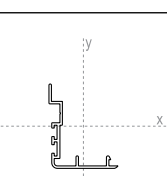
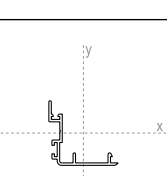
GENERAL CATALOGUE

CODE	SHAPE	WEIGHT	MOMENT OF INERTIA	MOMENT OF RESISTANCE	DESCRIPTION
		LENGTH			
205-111		507gr/m			SINGLE RAIL
		6,00m			
205-113		393gr/m			ADDITIONAL RAIL
		6,00m			
205-121		901gr/m			DOUBLE RAIL
		6,00m			
205-122		844gr/m			DOUBLE STAINLESS STEEL RAIL
		6,00m			
205-123		685gr/m			DOUBLE RAIL
		6,00m			
210-124		636gr/m			DOUBLE RAIL FOR 210-204
		6,00m			
205-131		1157gr/m			TRIPLE RAIL (GLASS-FLY SCREEN-SHUTTER)
		6,00m			

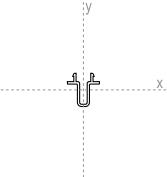
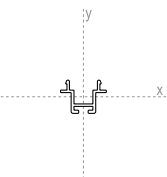
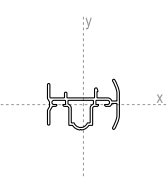
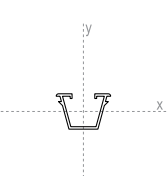

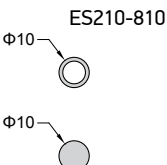
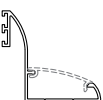
GENERAL CATALOGUE

CODE	SHAPE	WEIGHT	MOMENT OF INERTIA	MOMENT OF RESISTANCE	DESCRIPTION
		LENGTH			
205-132		1054gr/m			PROFILE FOR TRIPLE STAINLESS STEEL RAIL (GLASS, FLY SCREEN-SHUTTER)
		6,00m			
205-133		1252gr/m			TRIPLE RAIL FOR OVERLAPPING SASHES & FLY SCREEN
		6,00m			
205-134		1150gr/m			PROFILE FOR TRIPLE STAINLESS STEEL RAIL
		6,00m			
205-135		1262gr/m			TRIPLE RAIL
		6,00m			
205-137		1023gr/m			TRIPLE RAIL
		6,00m			
205-139		1269gr/m			TRIPLE RAIL
		6,00m			
205-201		923gr/m	Jxx=19,50 cm ⁴ Jyy=6,07 cm ⁴	Wx=4,62 cm ³ Wy=3,84 cm ³	SASH FOR DOUBLE GLASS OR SHUTTER
		6,00m			

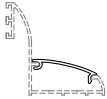

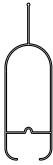



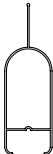
GENERAL CATALOGUE

CODE	SHAPE	WEIGHT	MOMENT OF INERTIA	MOMENT OF RESISTANCE	DESCRIPTION
		LENGTH			
210-204		692gr/m	Jxx=7,79 cm ⁴ Jyy=3,90 cm ⁴	Wx=2,58 cm ³ Wy=2,51 cm ³	SASH FOR SINGLE GLASS
		6,00m			
205-205		666gr/m	Jxx=11,26 cm ⁴ Jyy=1,02 cm ⁴	Wx=3,06 cm ³ Wy=1,15 cm ³	SASH FOR FLY SCREEN FOR RAIL 205-123
		6,00m			
205-206		754gr/m	Jxx=13,70 cm ⁴ Jyy=3,20 cm ⁴	Wx=3,81 cm ³ Wy=2,14 cm ³	SASH FOR FLY SCREEN
		6,00m			
210-501		749gr/m	Jxx=12,01 cm ⁴ Jyy=3,71 cm ⁴	Wx=3,20 cm ³ Wy=2,63 cm ³	TRANSOM FOR SASHES
		6,00m			
210-903		556gr/m	Jxx=0,90 cm ⁴ Jyy=3,90 cm ⁴	Wx=0,87 cm ³ Wy=1,77 cm ³	TRANSOM FOR FLY SCREEN
		6,00m			
205-301		393gr/m	Jxx=2,66 cm ⁴ Jyy=1,49 cm ⁴	Wx=0,86 cm ³ Wy=0,57 cm ³	CLIP ON HOOK FOR SASH 205-201
		5,00m			
210-304		332gr/m	Jxx=1,34 cm ⁴ Jyy=1,39 cm ⁴	Wx=0,56 cm ³ Wy=0,56 cm ³	CLIP ON HOOK FOR SASH 205-204
		5,00m			

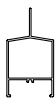
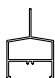
GENERAL CATALOGUE

CODE	SHAPE	WEIGHT	MOMENT OF INERTIA	MOMENT OF RESISTANCE	DESCRIPTION
		LENGTH			
205-305		161gr/m	$J_{xx}=0,15 \text{ cm}^4$ $J_{yy}=0,95 \text{ cm}^4$	$W_x=0,16 \text{ cm}^3$ $W_y=1,11 \text{ cm}^3$	CENTRAL ADAPTER FOR FLY SCREEN SASH 205-205
		5,00m			
205-308		236gr/m	$J_{xx}=0,21 \text{ cm}^4$ $J_{yy}=0,37 \text{ cm}^4$	$W_x=0,22 \text{ cm}^3$ $W_y=0,31 \text{ cm}^3$	CENTRAL ADAPTER FOR FLY SCREEN SASH 205-206
		5,00m			
205-309		498gr/m	$J_{xx}=0,71 \text{ cm}^4$ $J_{yy}=2,95 \text{ cm}^4$	$W_x=0,50 \text{ cm}^3$ $W_y=1,52 \text{ cm}^3$	CENTRAL ADAPTER FOR OPPOSITE SASHES 205-201
		5,00m			
410-904		245gr/m	$J_{xx}=0,43 \text{ cm}^4$ $J_{yy}=0,73 \text{ cm}^4$	$W_x=0,44 \text{ cm}^3$ $W_y=0,51 \text{ cm}^3$	CLIP PROFILE FOR SINGLE GLASS SASHES
		6,00m			
410-804		143gr/m			FLOOR CONNECTING COMPARTMENT
		6,00m			
PAT19-084		212gr/m			RAIL Ø10
		6,00m			
210-804		501gr/m			COVER GAP PROFILE
		5,00m			

GENERAL CATALOGUE

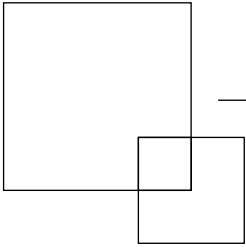
CODE	SHAPE	WEIGHT	MOMENT OF INERTIA	MOMENT OF RESISTANCE	DESCRIPTION
		LENGTH			
210-732		162gr/m			CLIP FOR THE COVER GAP PROFILE 210-804
		5,00m			
205-902		129gr/m			COVER FOR SASH 205-201 & 205-206
		6,00m			
245-012		408gr/m			LOUVER
		6,00m			
245-021		575gr/m			LOUVER
		6,00m			
245-023		674gr/m			LOUVER
		6,00m			
245-013		543gr/m			LOUVER
		6,00m			
245-014		433gr/m			LOUVER
		6,00m			

GENERAL CATALOGUE

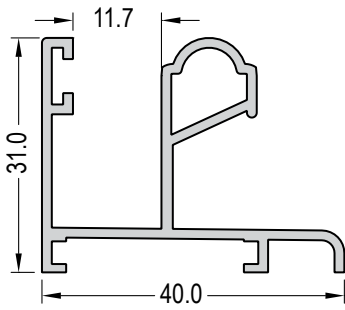
CODE	SHAPE	WEIGHT	MOMENT OF INERTIA	MOMENT OF RESISTANCE	DESCRIPTION
		LENGTH			
245-026	 NEW	311gr/m			LOUVER
		6,00m			
245-027	 NEW	263gr/m			LOUVER
		6,00m			

AL205
ALUMINIUM SYSTEMS

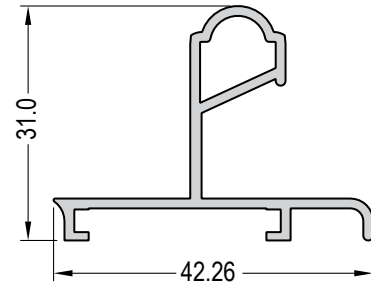
PROFILES 1:1



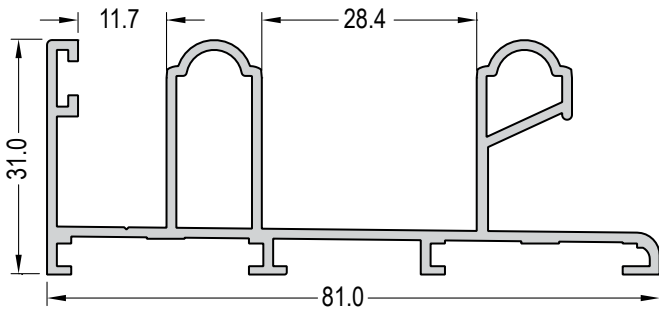
PROFILES 1:1



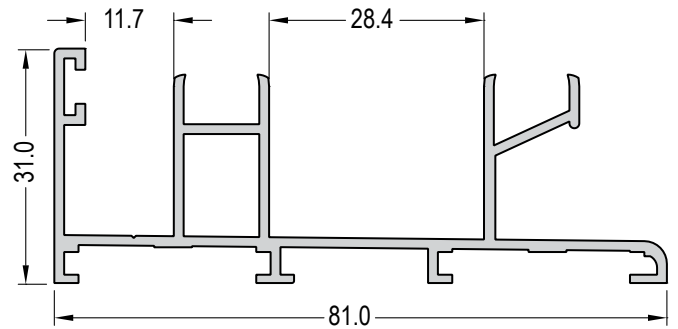
CODE	DESCRIPTION	OUTER PERIMETER
205-111	SINGLE RAIL	
WEIGHT		
507 gr/m		



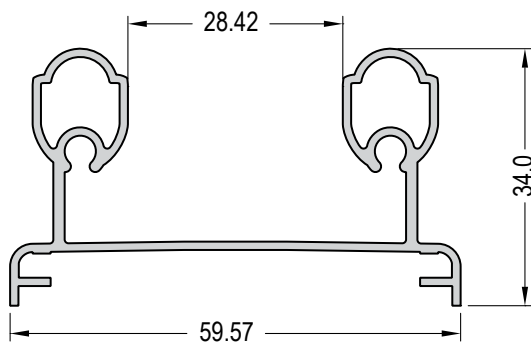
CODE	DESCRIPTION	OUTER PERIMETER
205-113	ADDITIONAL RAIL	
WEIGHT		
393 gr/m		



CODE	DESCRIPTION	OUTER PERIMETER
205-121	DOUBLE RAIL	
WEIGHT		
901 gr/m		

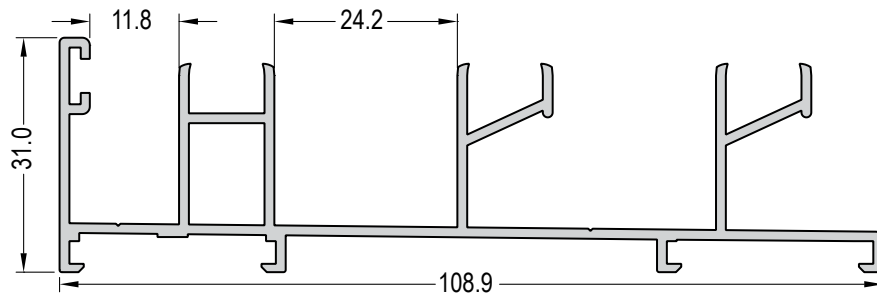


CODE	DESCRIPTION	OUTER PERIMETER
205-122	DOUBLE STAINLESS STEEL RAIL	
WEIGHT		
844 gr/m		

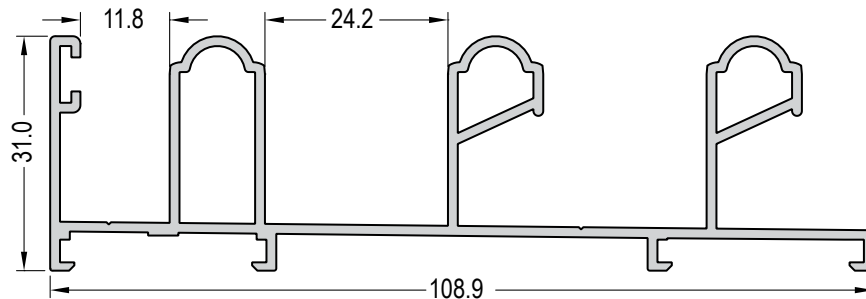


CODE	DESCRIPTION	OUTER PERIMETER
210-124	DOUBLE RAIL FOR 210-204	
WEIGHT		
636 gr/m		

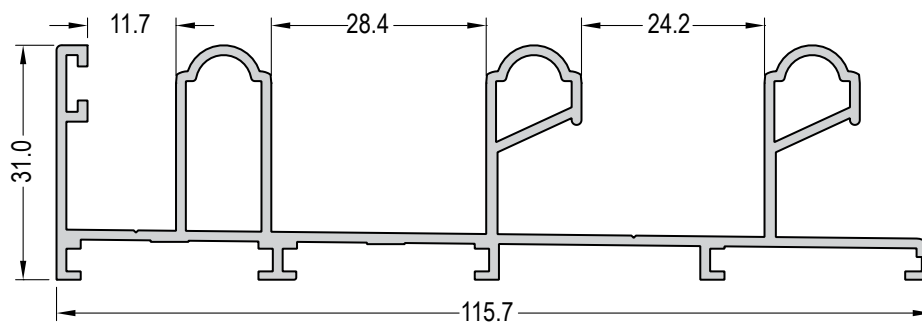
PROFILES 1:1



CODE	DESCRIPTION	
205-132	PROFILE FOR TRIPLE STAINLESS STEEL RAIL (GLASS-FLY SCREEN-SHUTTER)	OUTER PERIMETER
WEIGHT		
1054 gr/m		512 mm

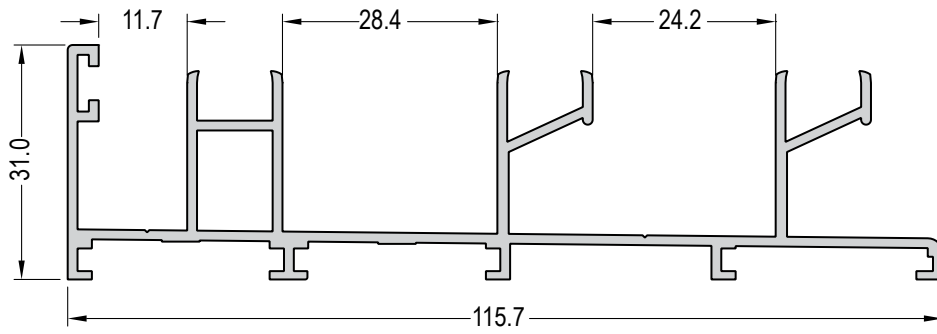


CODE	DESCRIPTION	
205-131	TRIPLE RAIL (GLASS- FLY SCREEN-SHUTTER)	OUTER PERIMETER
WEIGHT		
1157 gr/m		548 mm

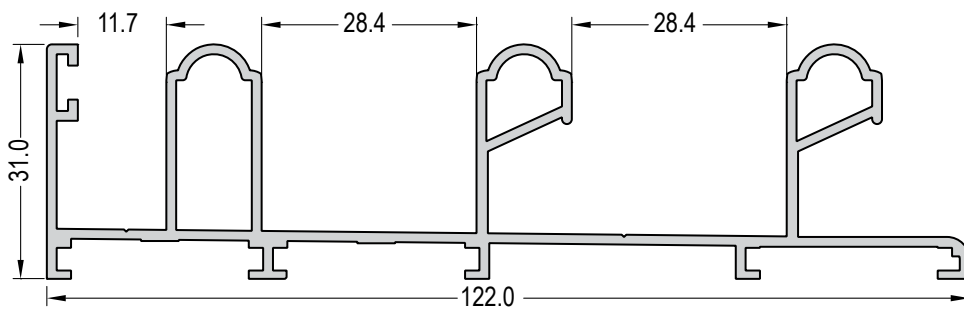


CODE	DESCRIPTION	
205-133	TRIPLE RAIL FOR OVERLAPPING SASHES & FLY SCREEN	OUTER PERIMETER
WEIGHT		
1252 gr/m		546 mm

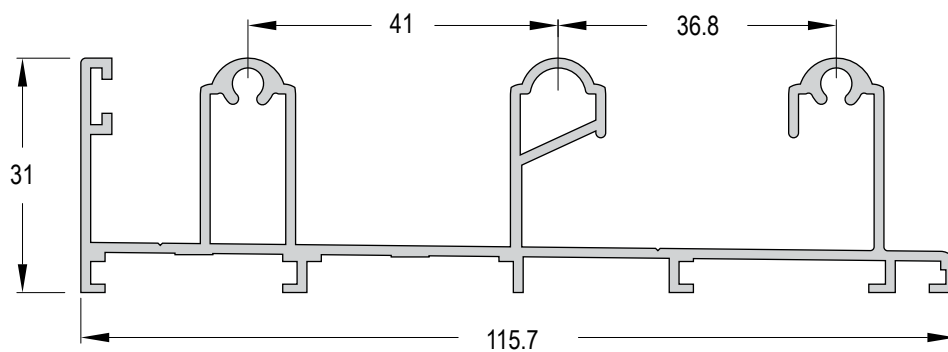
PROFILES 1:1



CODE	DESCRIPTION	OUTER PERIMETER
205-134	PROFILE FOR TRIPLE STAINLESS STEEL RAIL	
WEIGHT		582 mm
1150 gr/m		

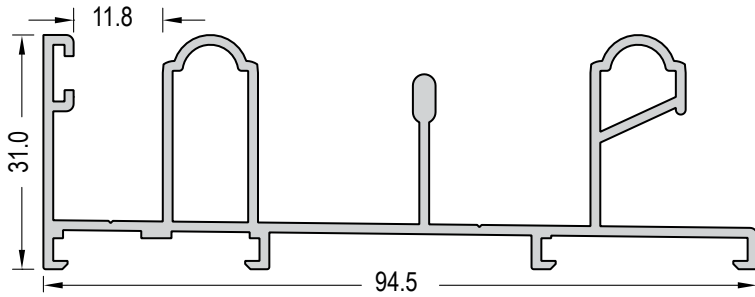


CODE	DESCRIPTION	OUTER PERIMETER
205-135	TRIPLE RAIL	
WEIGHT		559 mm
1262 gr/m		

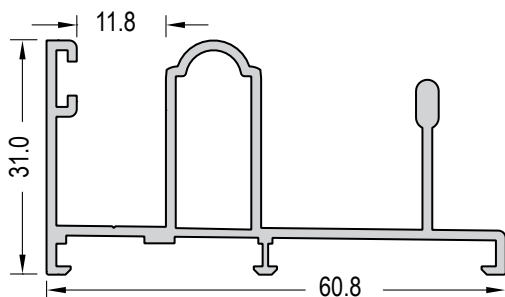


CODE	DESCRIPTION	OUTER PERIMETER
210-139	TRIPLE RAIL	
WEIGHT		576 mm
1269 gr/m		

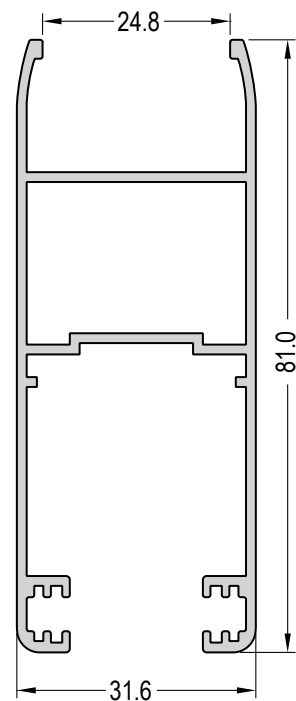
PROFILES 1:1



CODE	DESCRIPTION	OUTER PERIMETER
205-137	DOUBLE RAIL FOR GLASS, FLY SCREEN(205-205) & SHUTTER	
WEIGHT		
1023 gr/m		461 mm

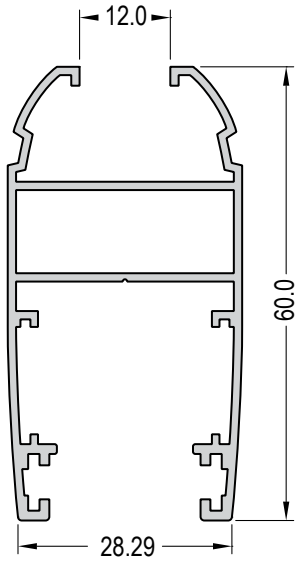


CODE	DESCRIPTION	OUTER PERIMETER
205-123	DOUBLE RAIL FOR GLASS, FLY SCREEN (205-205)	
WEIGHT		
685 gr/m		316 mm

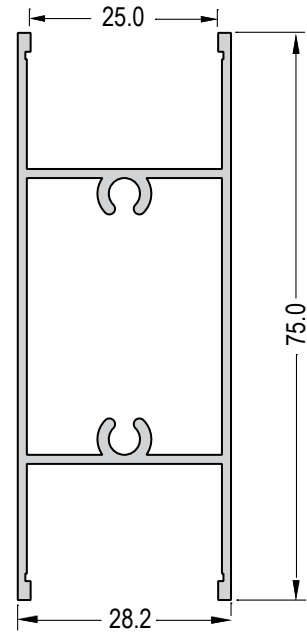


CODE	DESCRIPTION	OUTER PERIMETER
205-201	SASH FOR DOUBLE GLASS OR SHUTTER	
WEIGHT		
923 gr/m		416 mm

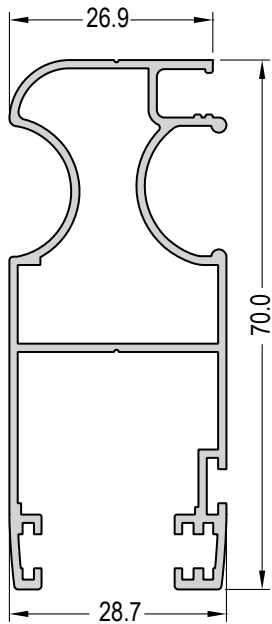
PROFILES 1:1



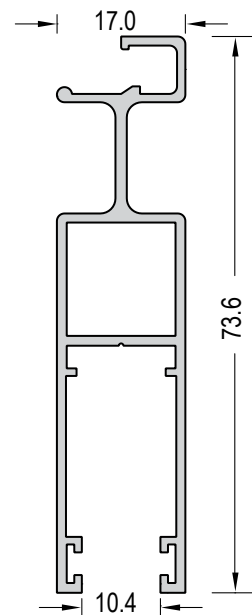
CODE	DESCRIPTION	OUTER PERIMETER
210-204	SASH FOR SINGLE GLASS	
WEIGHT		
692 gr/m		368 mm



CODE	DESCRIPTION	OUTER PERIMETER
210-501	TRANSOM FOR SASHES	
WEIGHT		
749 gr/m		284 mm

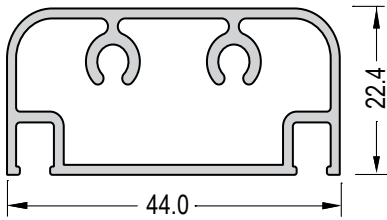


CODE	DESCRIPTION	OUTER PERIMETER
205-206	SASH FOR FLY SCREEN	
WEIGHT		
754 gr/m		360 mm

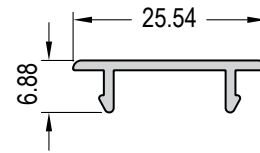


CODE	DESCRIPTION	OUTER PERIMETER
205-205	SASH FOR FLY SCREEN	
WEIGHT		
666 gr/m		319 mm

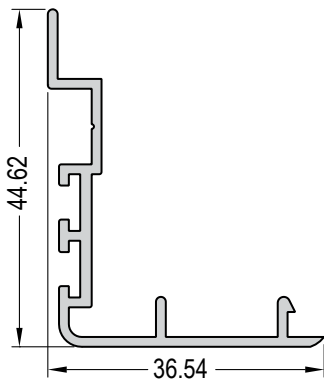
PROFILES 1:1



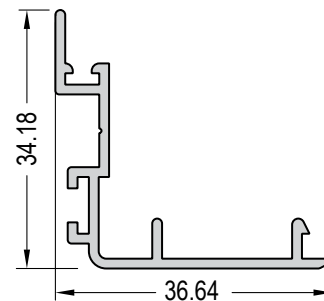
CODE	DESCRIPTION	OUTER PERIMETER
210-903	TRANSOM FOR FLY SCREEN	
WEIGHT		
555 gr/m		



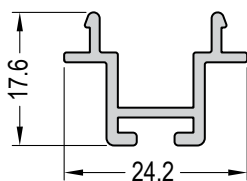
CODE	DESCRIPTION	OUTER PERIMETER
205-902	COVER FOR SASH 205-201 & 205-206	
WEIGHT		
129 gr/m		



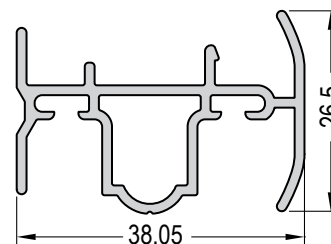
CODE	DESCRIPTION	OUTER PERIMETER
205-301	CLIP ON HOOK FOR SASH 205-201	
WEIGHT		
393 gr/m		



CODE	DESCRIPTION	OUTER PERIMETER
210-304	CLIP ON HOOK FOR SASH 205-204	
WEIGHT		
332 gr/m		

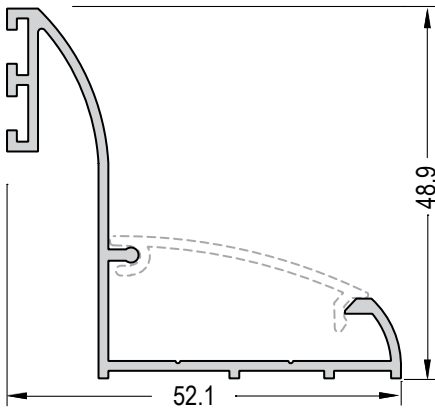


CODE	DESCRIPTION	OUTER PERIMETER
205-308	CENTRAL ADAPTER FOR FLY SCREEN SASH 205-206	
WEIGHT		
236 gr/m		

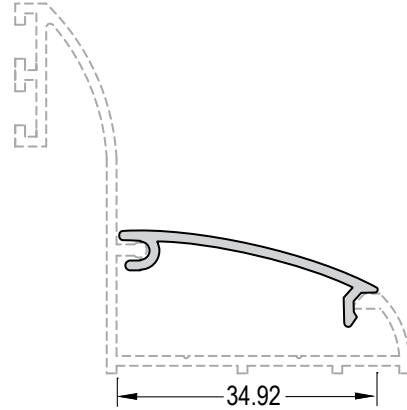


CODE	DESCRIPTION	OUTER PERIMETER
205-309	CENTRAL ADAPTER FOR OPPOSITE SASHES 205-201	
WEIGHT		
498 gr/m		

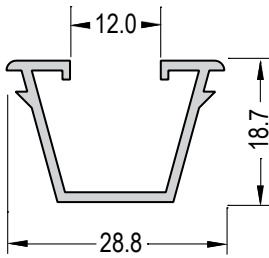
PROFILES 1:1



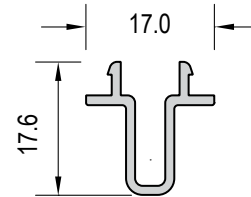
CODE	DESCRIPTION	OUTER PERIMETER
210-804	COVER GAP PROFILE	283 mm
WEIGHT		
501 gr/m		



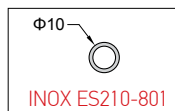
CODE	DESCRIPTION	OUTER PERIMETER
210-732	CLIP FOR THE COVER GAP PROFILE 210-804	94 mm
WEIGHT		
162 gr/m		



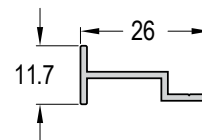
CODE	DESCRIPTION	OUTER PERIMETER
410-904	CLIP PROFILE FOR SINGLE GLASS SASHES	149 mm
WEIGHT		
250 gr/m		



CODE	DESCRIPTION	OUTER PERIMETER
205-305	CENTRAL ADAPTER FOR FLY SCREEN 205-205	99 mm
WEIGHT		
161 gr/m		

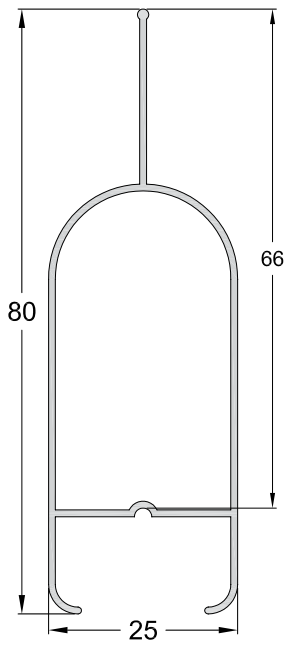


CODE	DESCRIPTION	OUTER PERIMETER
PAT19-084	RAIL Ø10	mm
WEIGHT		
212 gr/m		

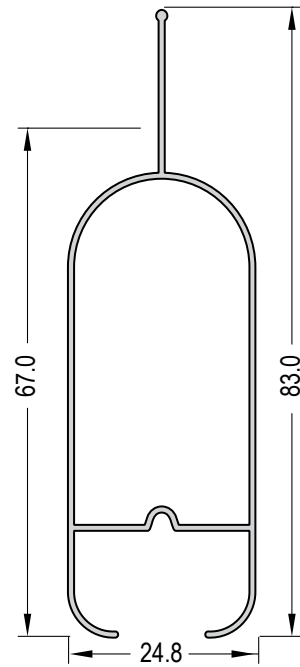


CODE	DESCRIPTION	OUTER PERIMETER
410-804 ok	FLOOR CONNECTING COMPARTMENT	mm
WEIGHT		
143 gr/m		

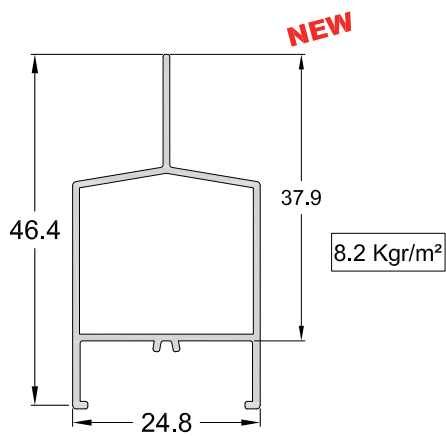
PROFILES 1:1



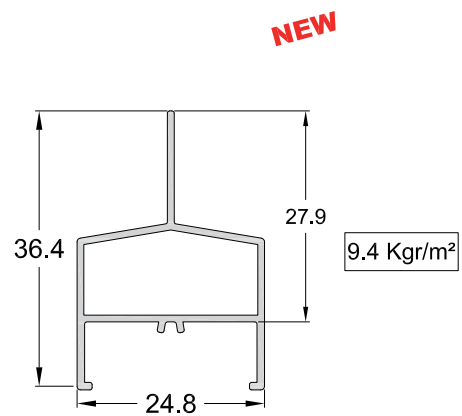
CODE	DESCRIPTION	OUTER PERIMETER	WEIGHT/ AREA
245-014	LOUVER	mm	6600 gr/m ²
WEIGHT			
433 gr/m			



CODE	DESCRIPTION	OUTER PERIMETER	WEIGHT/ AREA
245-012	LOUVER	250 mm	6150 gr/m ²
WEIGHT			
408 gr/m			

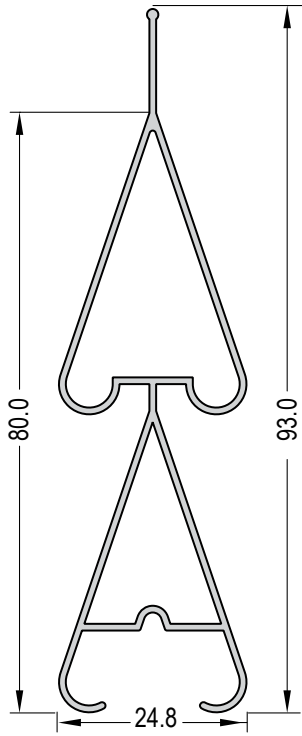


CODE	DESCRIPTION	OUTER PERIMETER	WEIGHT/ AREA
245-026	LOUVER	mm	8200 gr/m ²
WEIGHT			
311 gr/m			

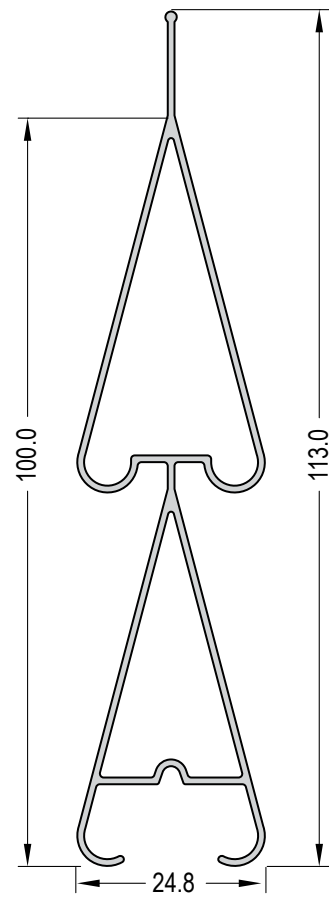


CODE	DESCRIPTION	OUTER PERIMETER	WEIGHT/ AREA
245-027	LOUVER	mm	9400 gr/m ²
WEIGHT			
263 gr/m			

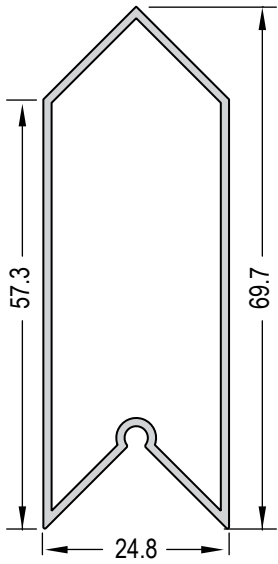
PROFILES 1:1



CODE	DESCRIPTION	OUTER PERIMETER	WEIGHT/ AREA
245-021	LOUVER	200 mm	7250 gr/m ²
WEIGHT			
575 gr/m			



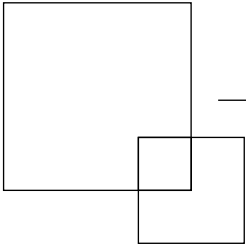
CODE	DESCRIPTION	OUTER PERIMETER	WEIGHT/ AREA
245-023	LOUVER	326 mm	6740 gr/m ²
WEIGHT			
674 gr/m			



CODE	DESCRIPTION	OUTER PERIMETER	WEIGHT/ AREA
245-013	LOUVER	188 mm	8145 gr/m ²
WEIGHT			
543 gr/m			

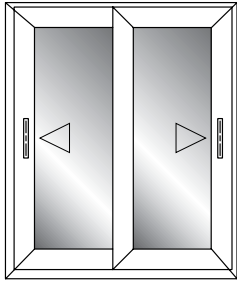
AL205
ALUMINIUM SYSTEMS

SECTIONS 1:1



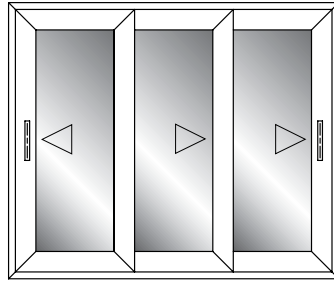
HEAVY DUTY

DOUBLE OVERLAPPING SASHES



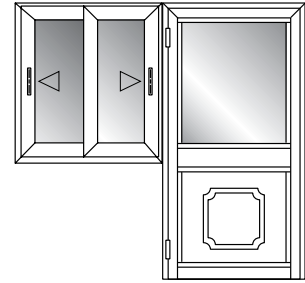
PAGE 32, 39, 41

TRIPLE OVERLAPPING SASHES



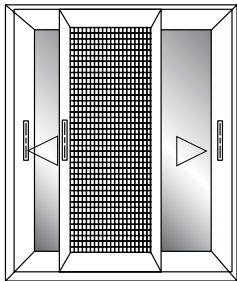
PAGE 40

DOUBLE OVERLAPPING SASHES WITH OPENING DOOR



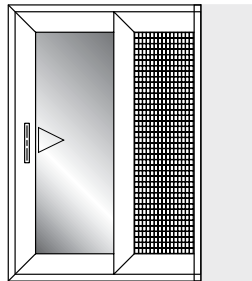
PAGE 31

DOUBLE OVERLAPPING SASHES WITH FLY SCREEN



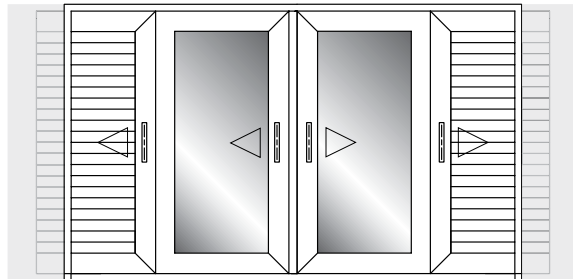
PAGE 38

FLUSH-FITTED SASH WITH FLY SCREEN



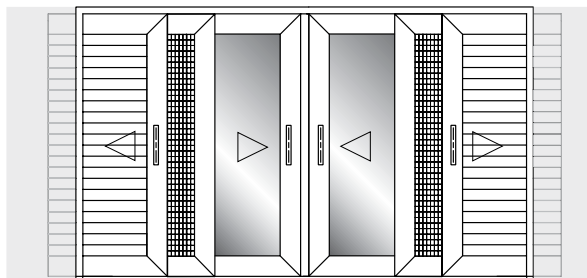
PAGE 42

DOUBLE FLUSH-FITTED SASH WITH SHUTTER



PAGE 33, 34

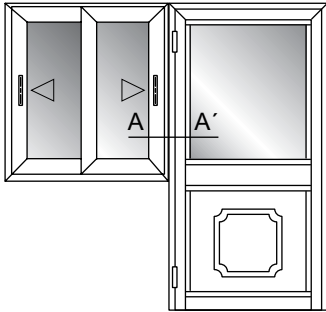
DOUBLE FLUSH-FITTED SASH WITH FLY SCREEN & SHUTTER



PAGE 35, 36, 37, 43, 44

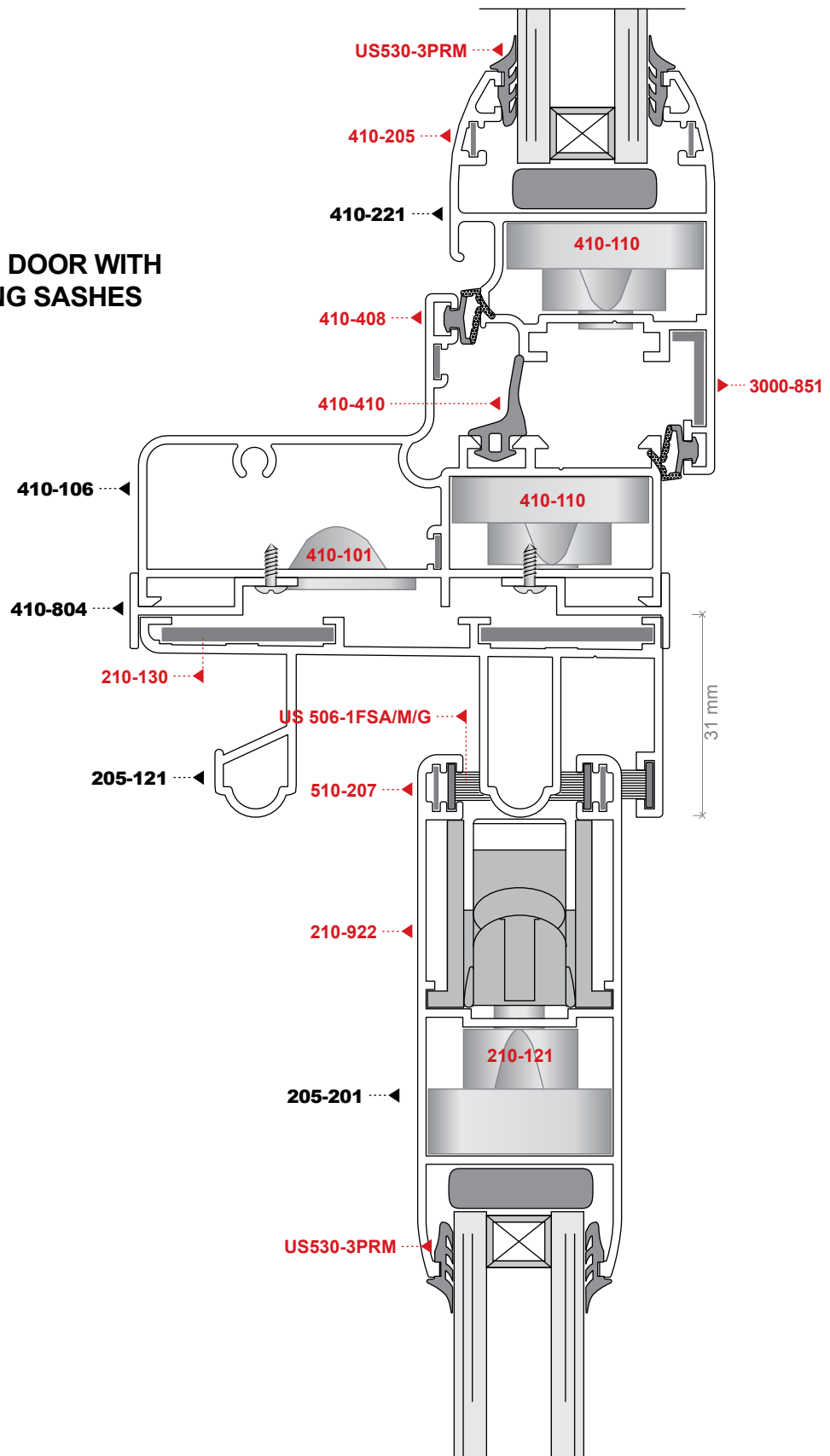
LOCK APPLICATION

Scale 1:1



SECTION OF KITCHEN DOOR WITH DOUBLE OVERLAPPING SASHES

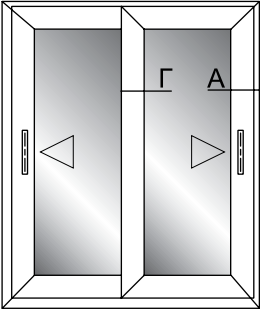
- ACCESSORIES
- PROFILES



SECTION A-A'

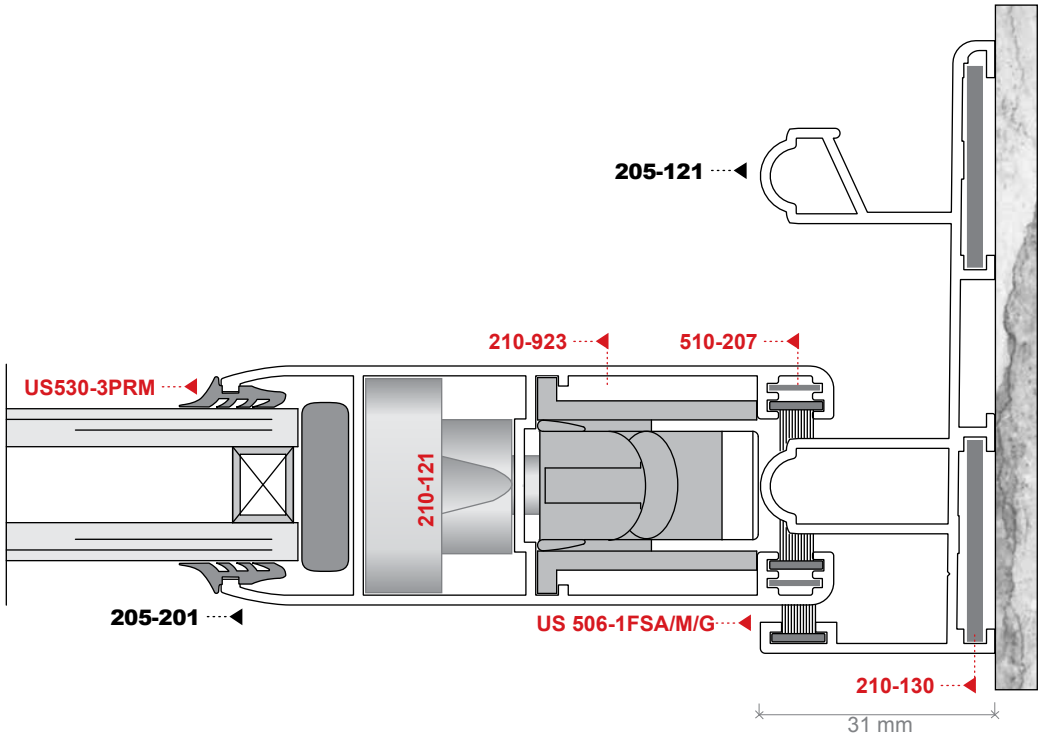
Scale 1:1

HORIZONTAL SECTIONS OF
DOUBLE OVERLAPPING SASHES

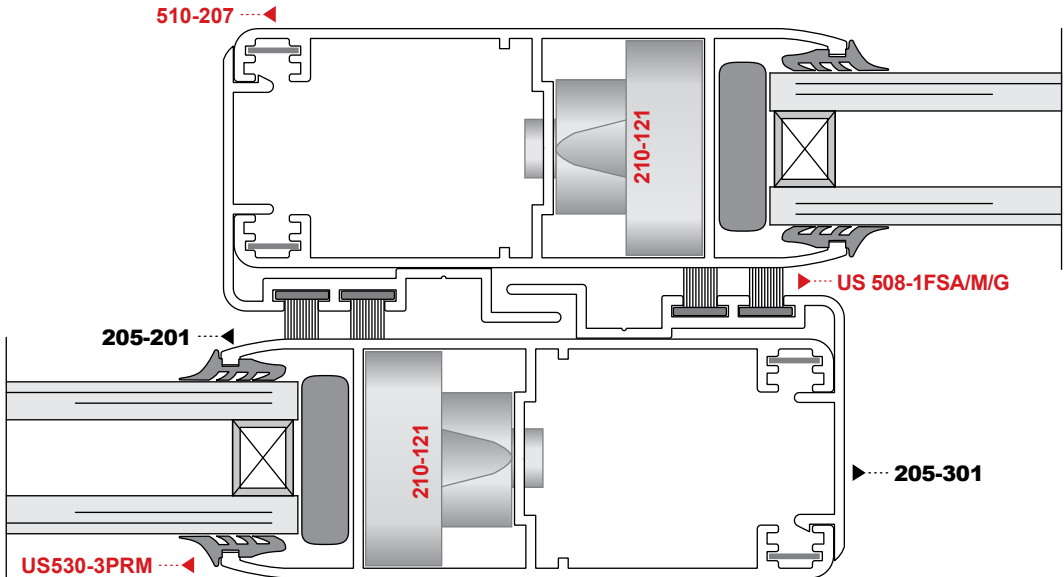


- ACCESSORIES
- PROFILES

SECTION A



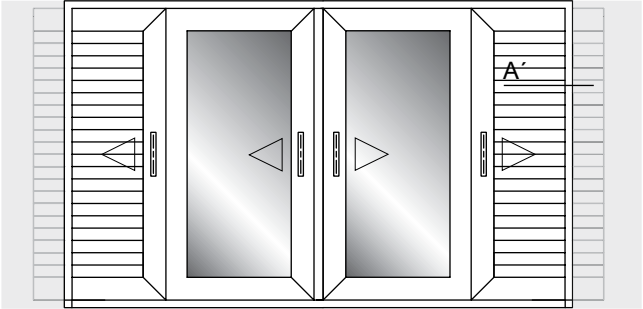
SECTION Γ



SECTIONS

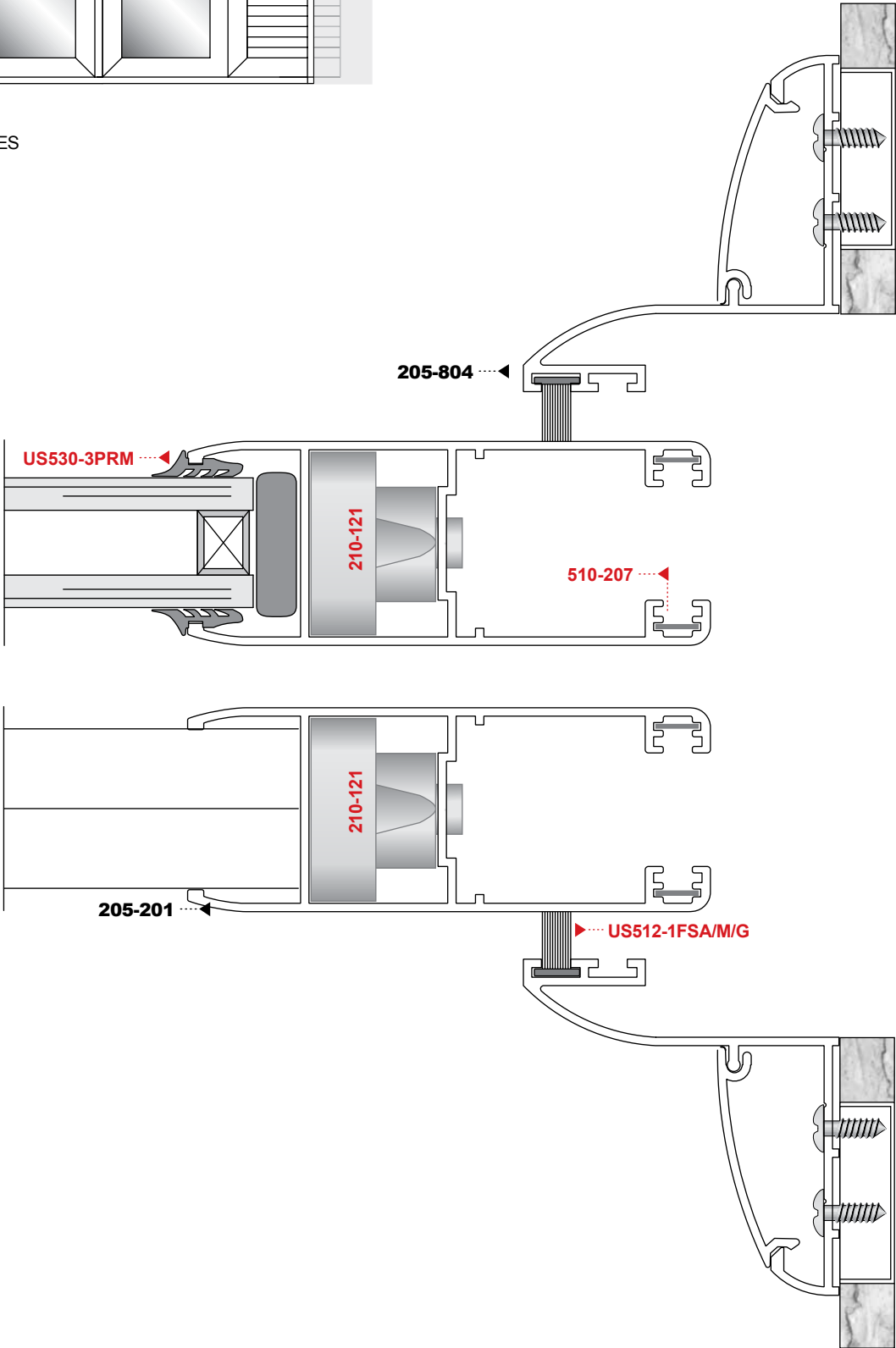
Scale 1:1

HORIZONTAL SECTION OF DOUBLE FLUSH-FITTED SASH WITH SHUTTER

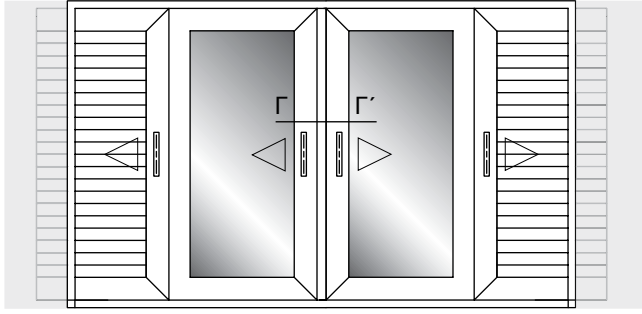


- ▶ ACCESSORIES
- ▶ PROFILES

SECTION A'



SECTIONS

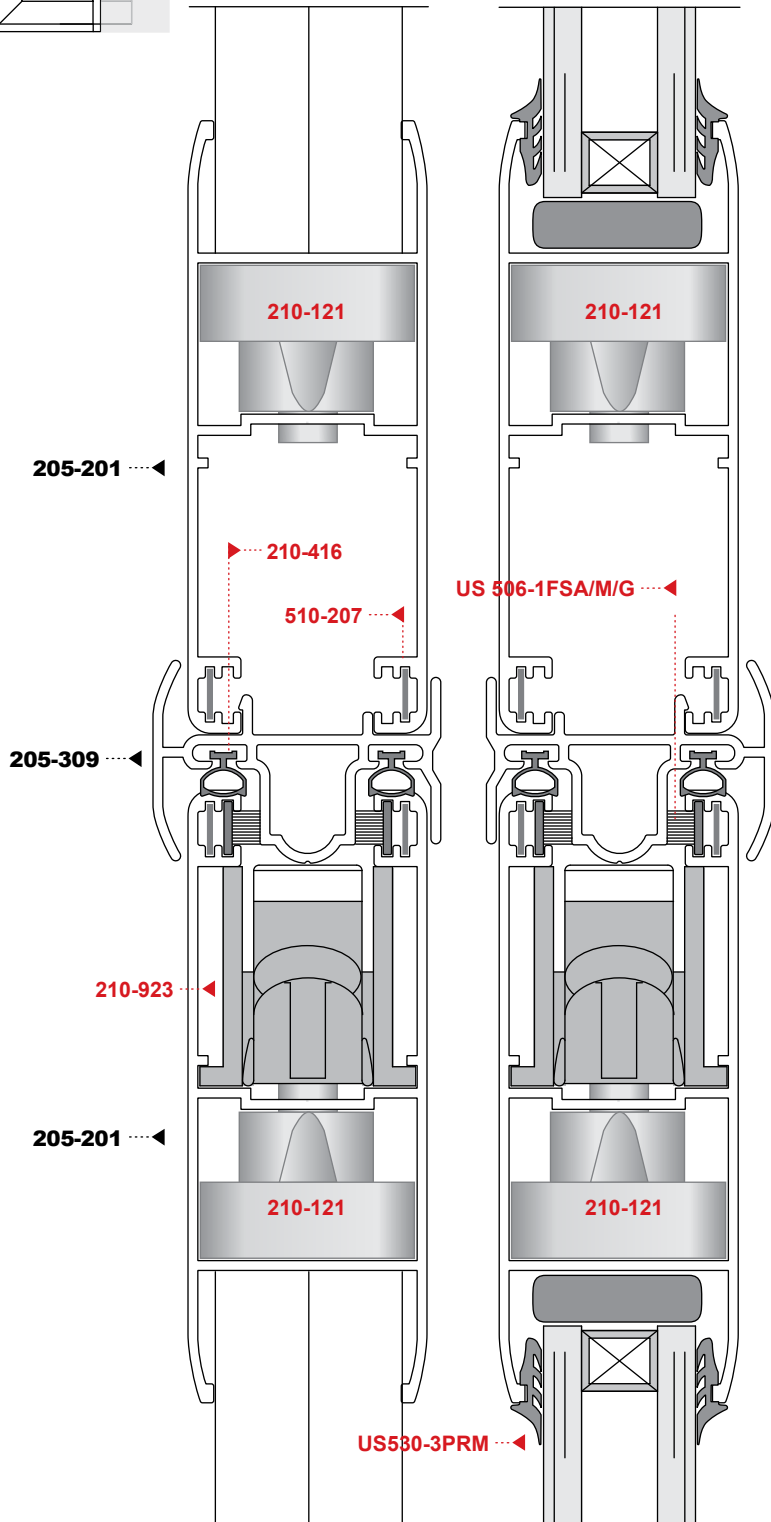


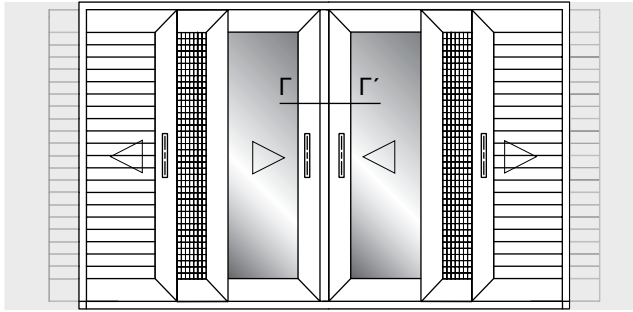
HORIZONTAL SECTION OF DOUBLE FLUSH-FITTED SASH WITH SHUTTER

Scale 1:1

-  ACCESSORIES
-  PROFILES

SECTION Γ-Γ'

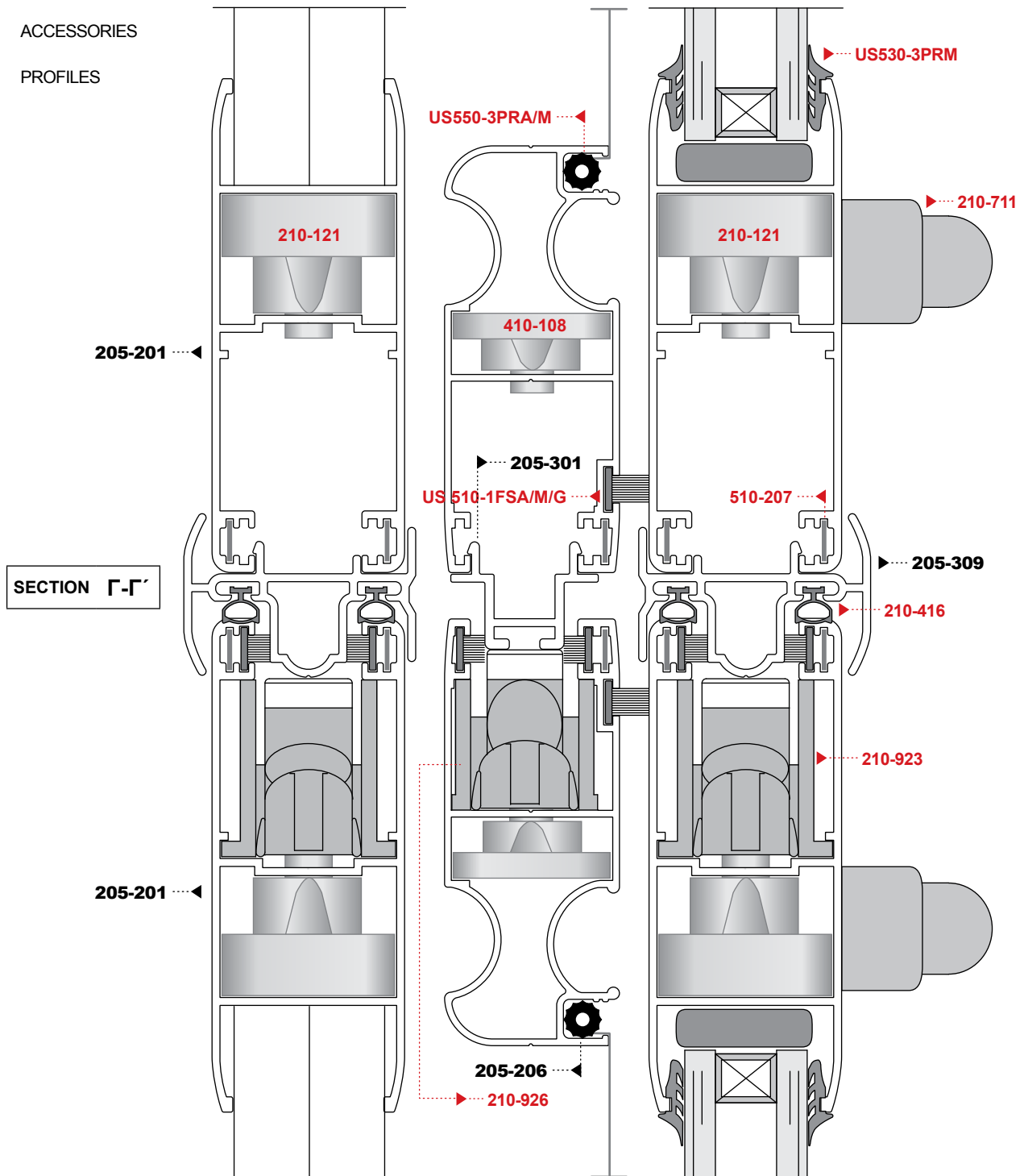




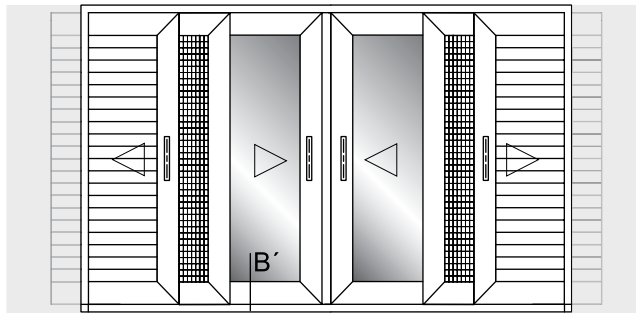
**HORIZONTAL SECTION OF DOUBLE
FLUSH-FITTED SASH WITH FLY SCREEN
& SHUTTER**

Scale 1:1

- ▶ ACCESSORIES
- ▶ PROFILES



SECTIONS



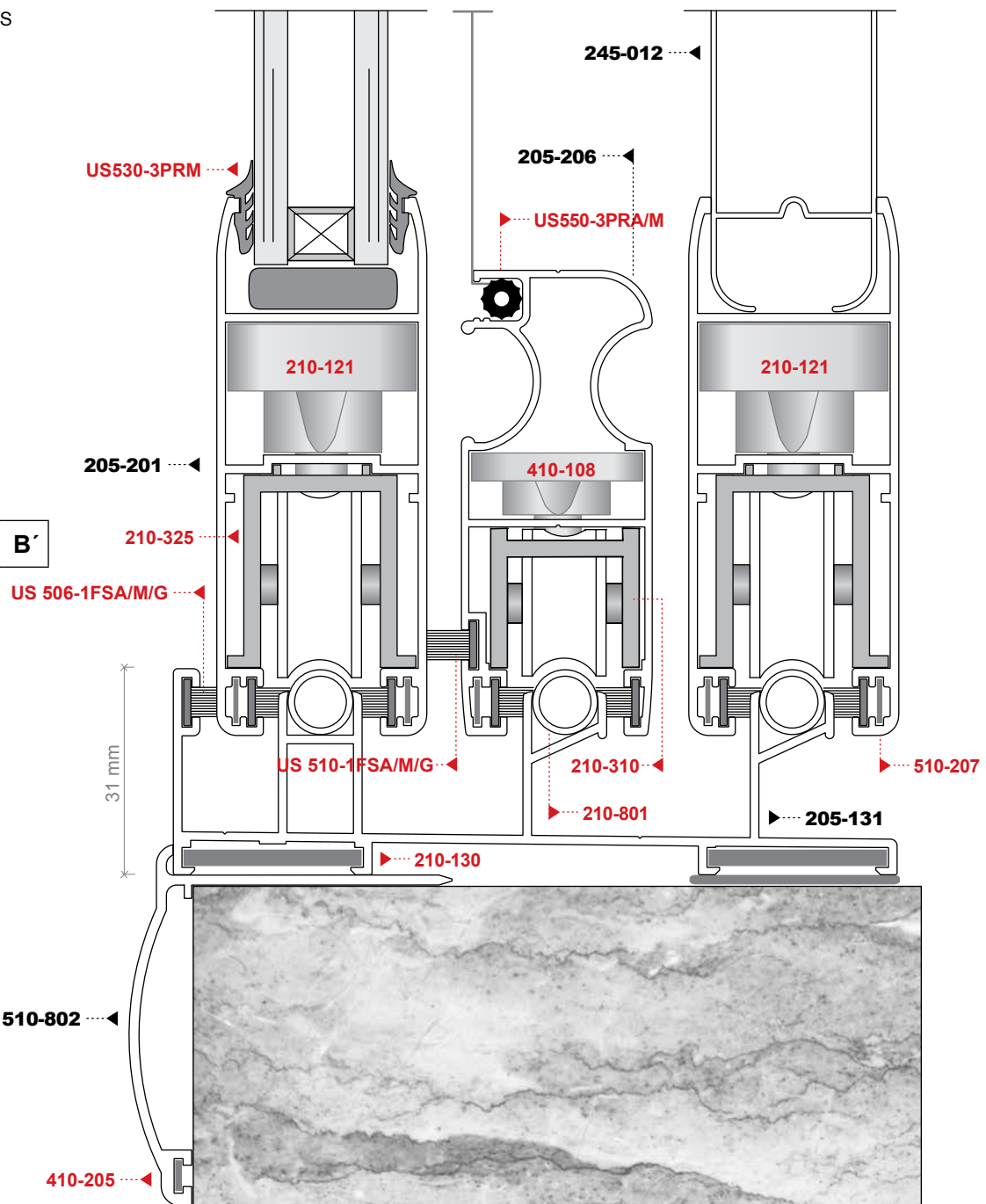
VERTICAL SECTION OF DOUBLE FLUSH-FITTED SASH WITH FLY SCREEN & SHUTTER

Scale 1:1

▶ ACCESSORIES

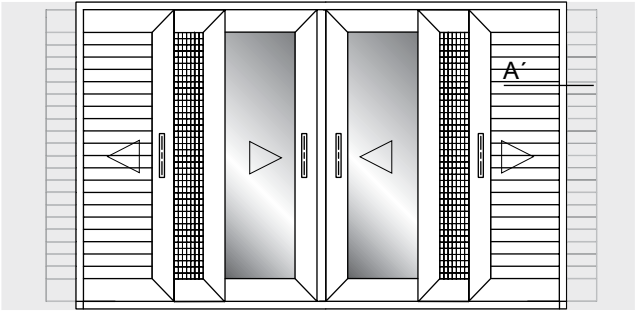
▶ PROFILES

SECTION B-B'



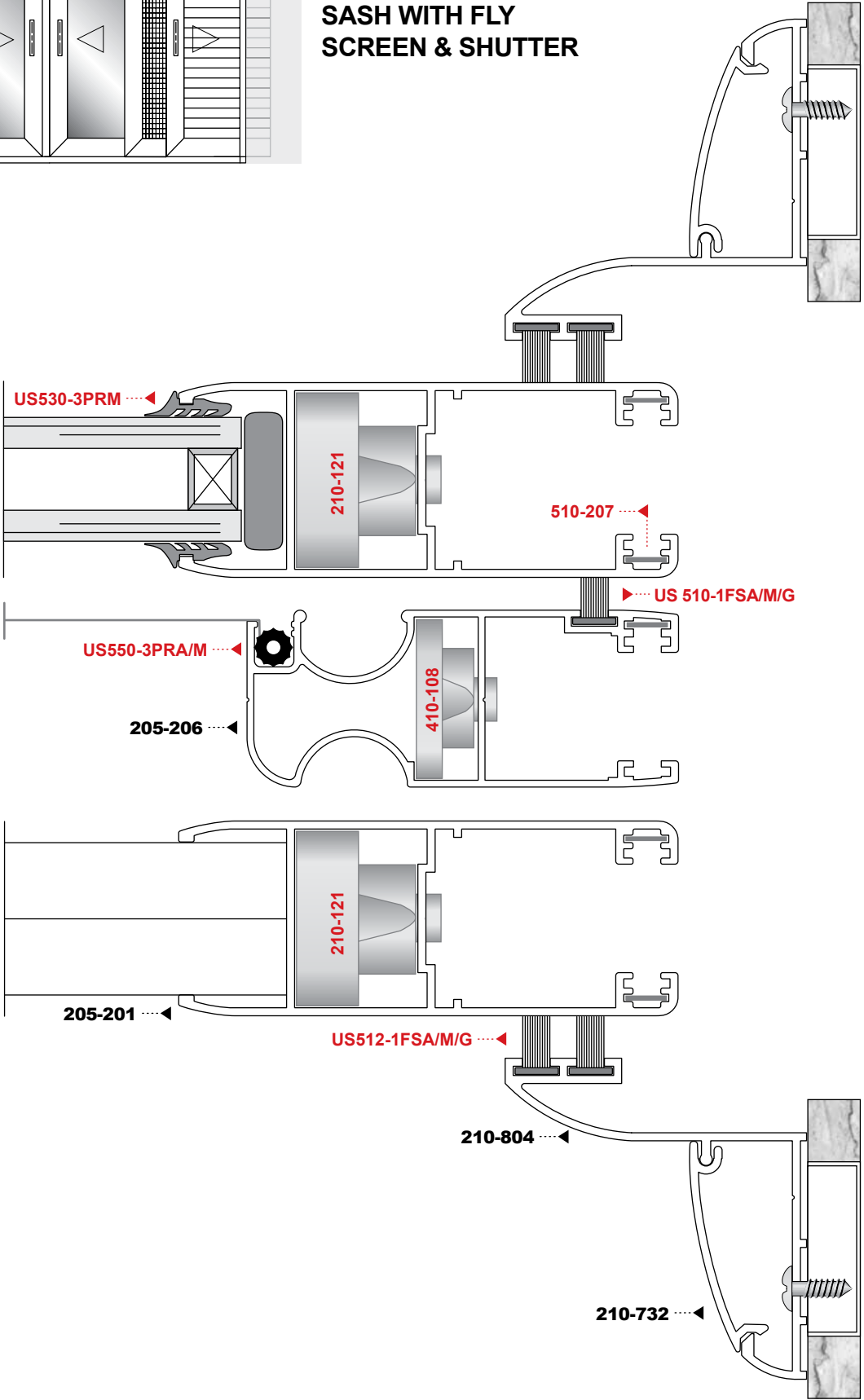
SECTIONS

Scale 1:1



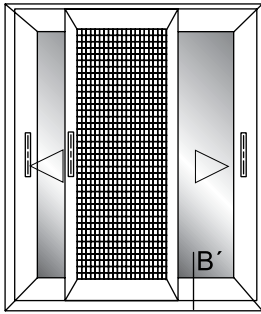
HORIZONTAL SECTION OF DOUBLE FLUSH-FITTED SASH WITH FLY SCREEN & SHUTTER

- ▶ ACCESSORIES
- ▶ PROFILES



SECTIONS

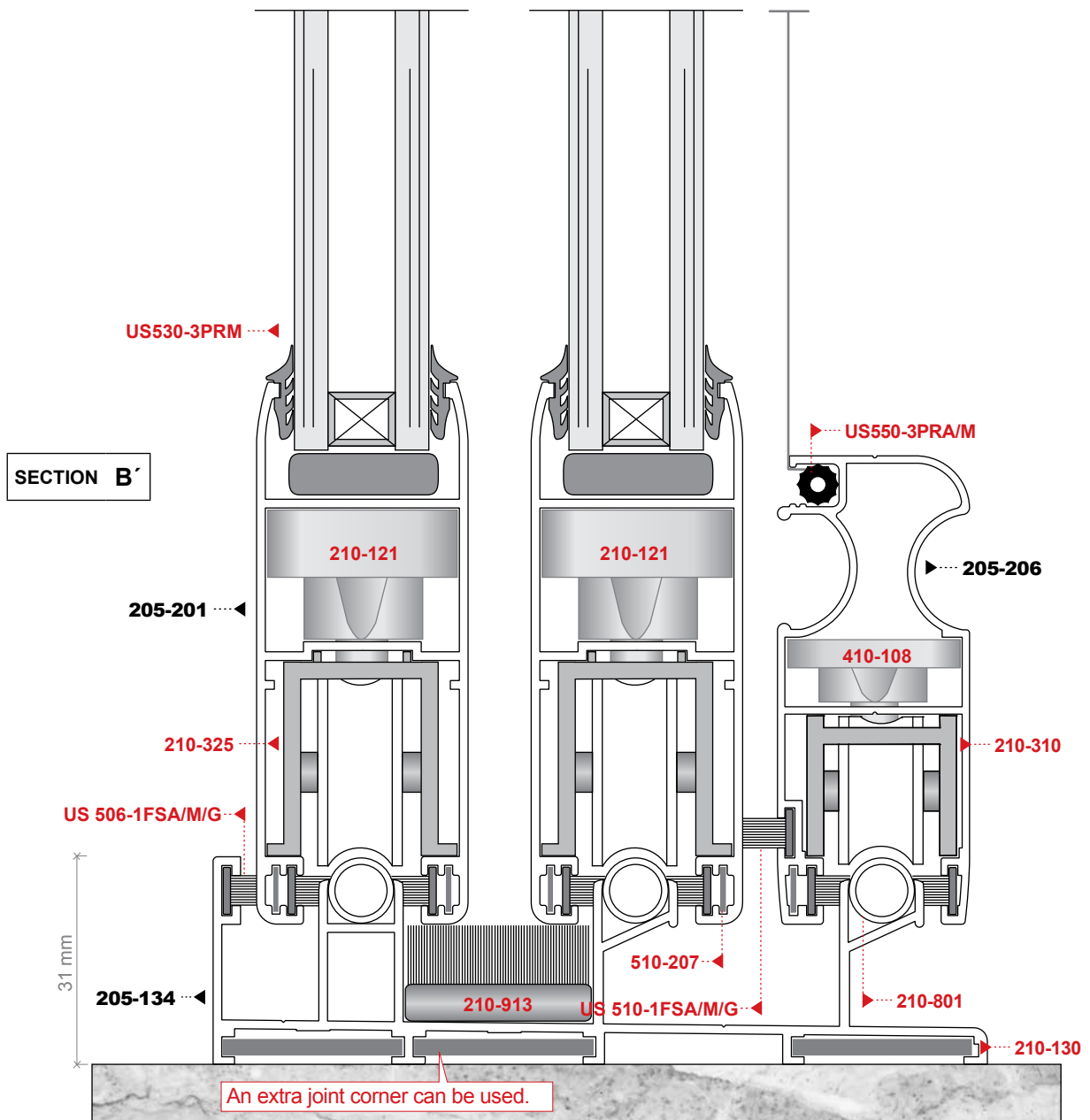
Scale 1:1



VERTICAL SECTION OF DOUBLE OVERLAPPING SASHES WITH FLY SCREEN

▶ ACCESSORIES

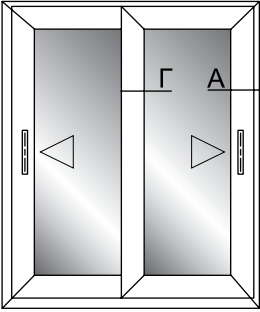
◀ PROFILES



SECTIONS

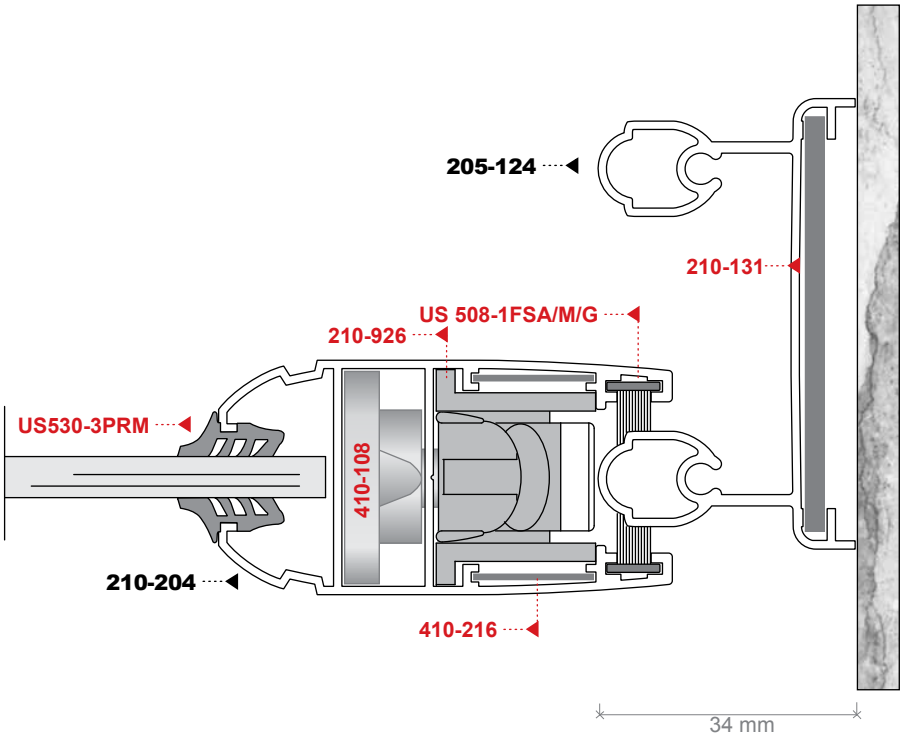
Scale 1:1

HORIZONTAL SECTIONS OF
DOUBLE OVERLAPPING SASHES

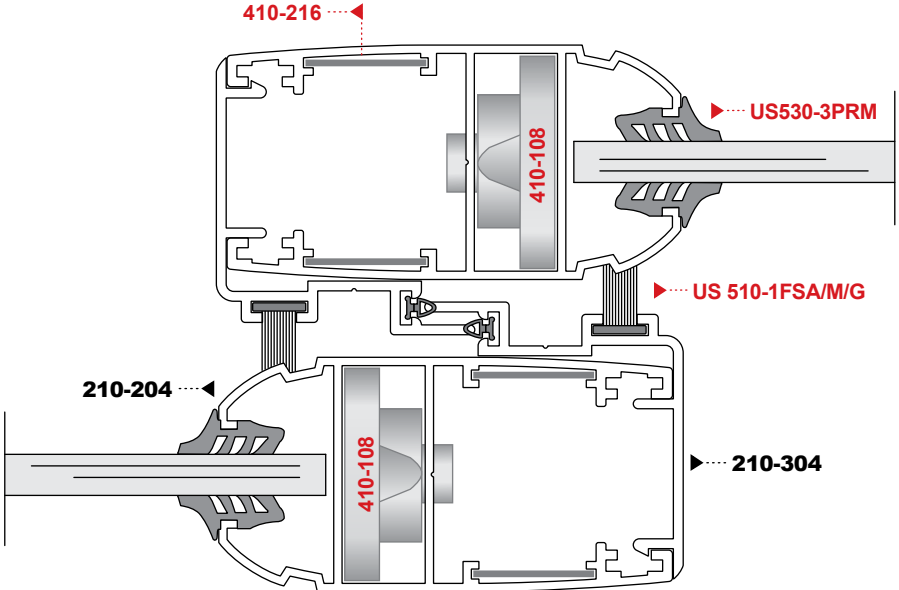


- ▶ ACCESSORIES
- ▶ PROFILES

SECTION A

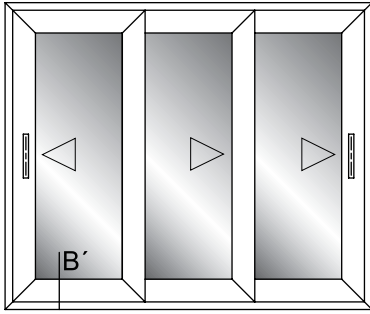


SECTION Γ



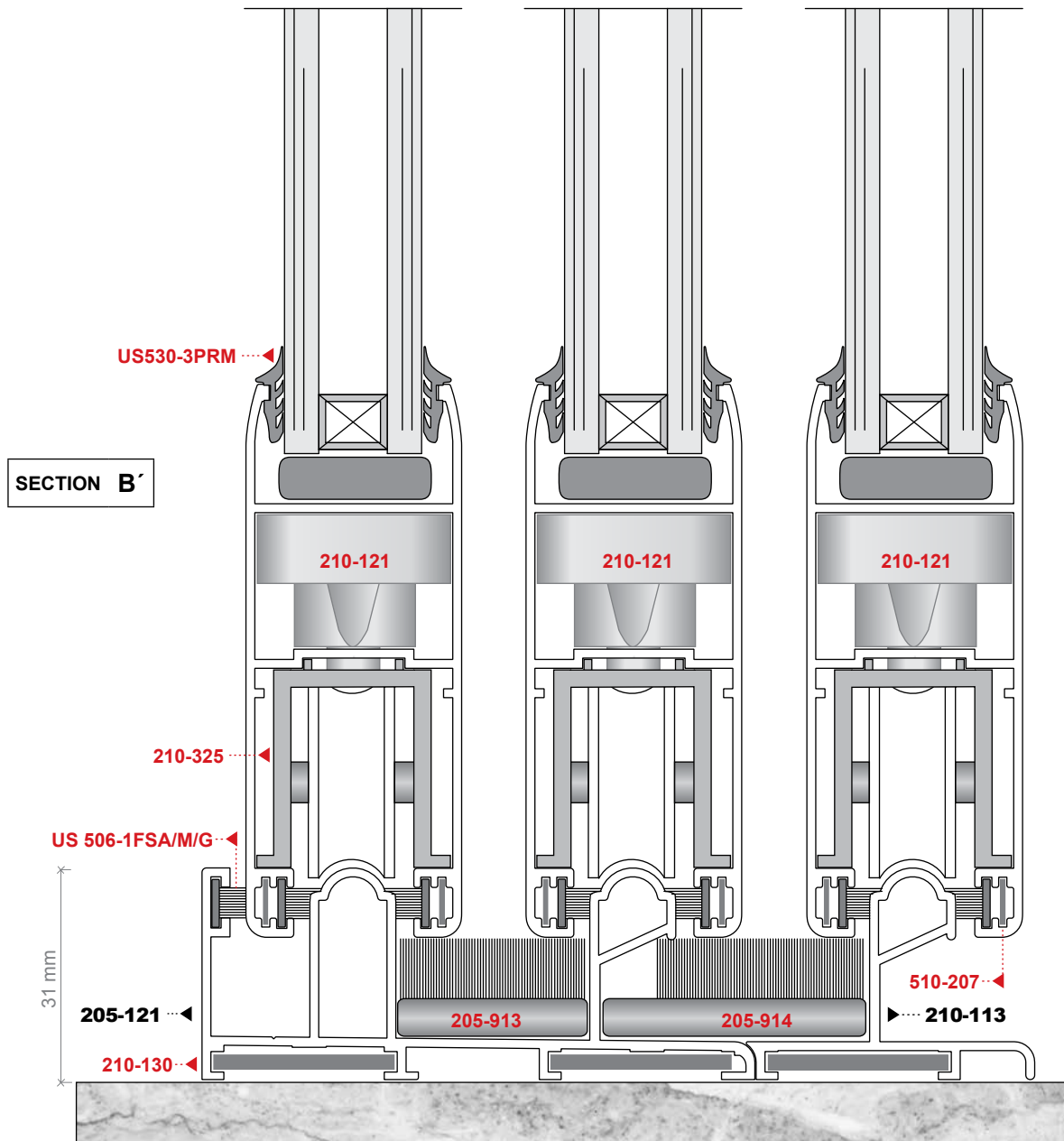
SECTIONS

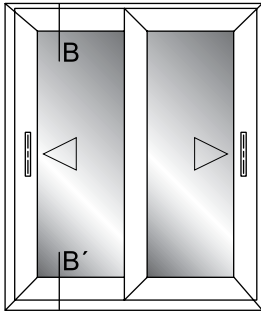
Scale 1:1



VERTICAL SECTION OF TRIPLE OVERLAPPING SASHES

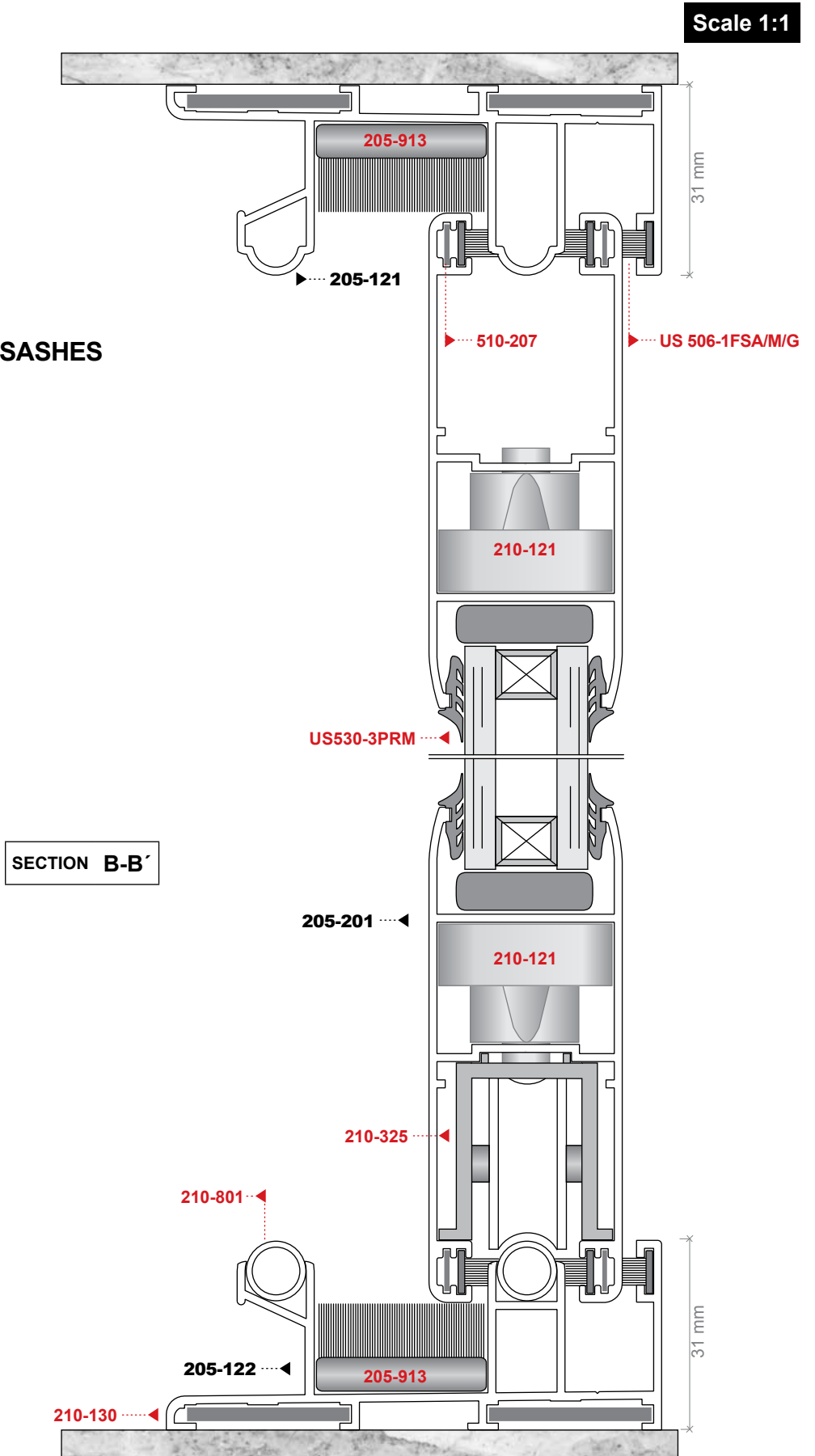
- ▶ ACCESSORIES
- ▶ PROFILES





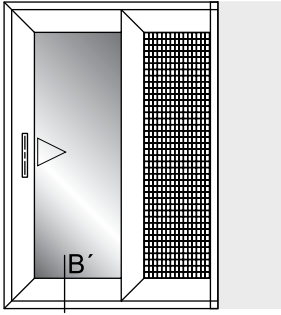
**VERTICAL SECTION OF
DOUBLE OVERLAPPING SASHES**

-  ACCESSORIES
-  PROFILES



SECTIONS

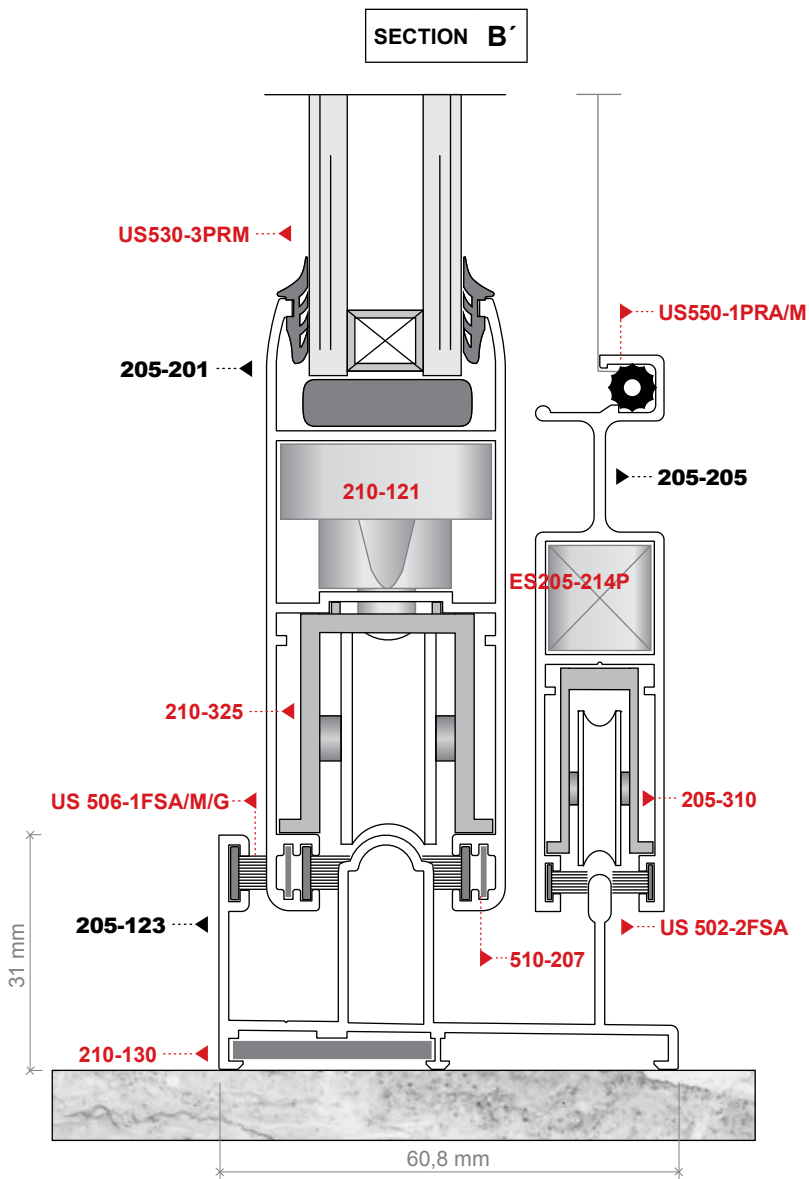
Scale 1:1



VERTICAL SECTION OF SINGLE FLUSH-FITTED SASH WITH FLY SCREEN

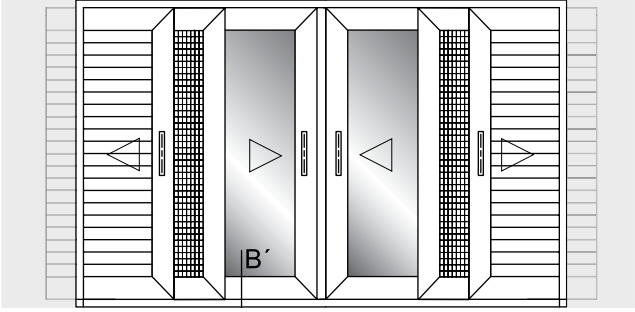
- ▶ ACCESSORIES
- ▶ PROFILES

SECTION B'



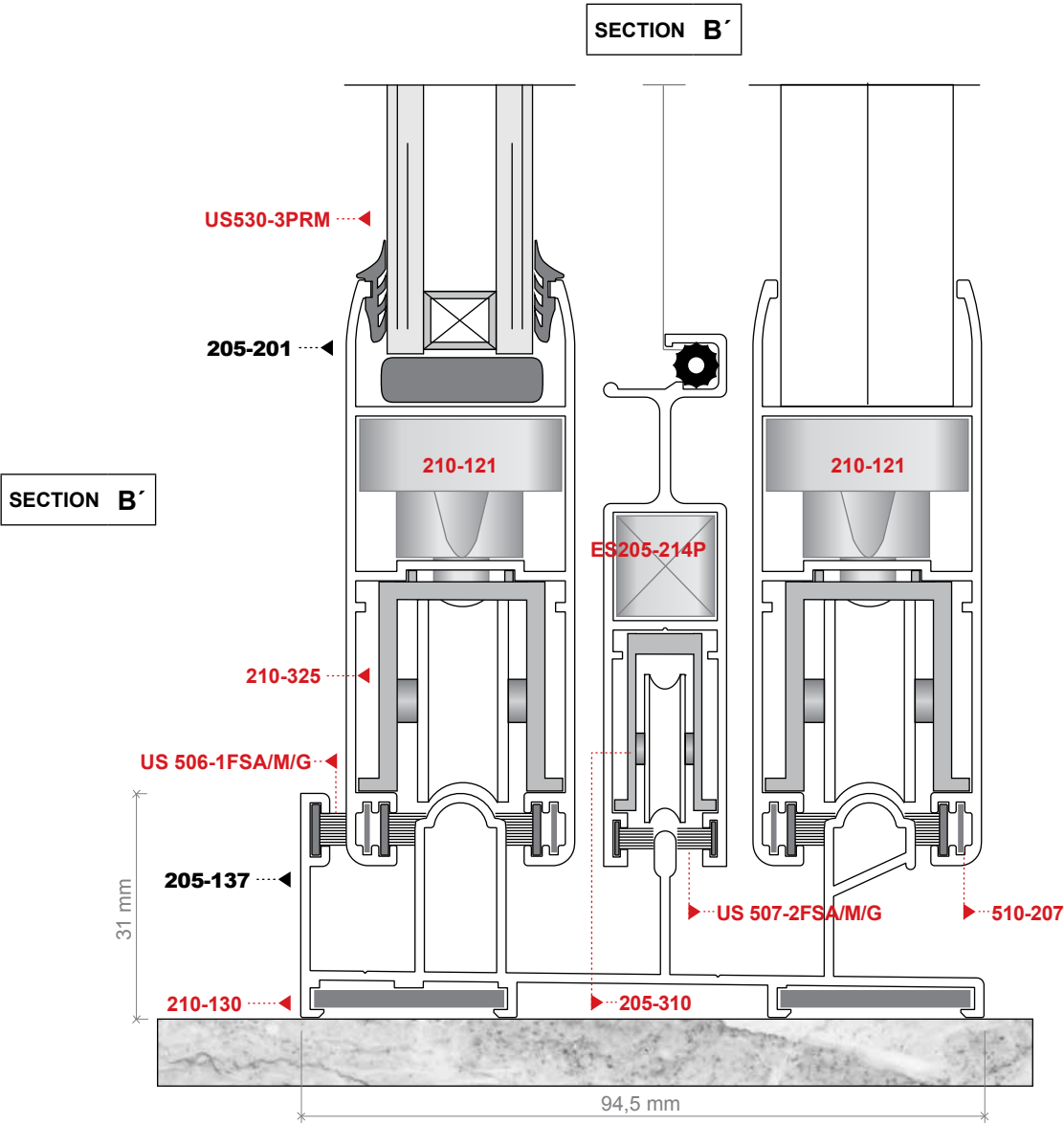
SECTIONS

Scale 1:1



VERTICAL SECTION OF DOUBLE
FLUSH-FITTED SASH WITH FLY SCREEN
& SHUTTER

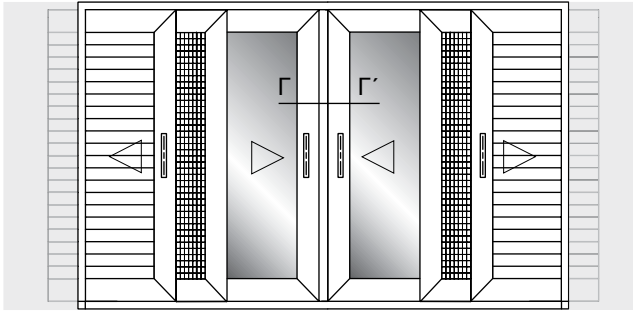
- ▶ ACCESSORIES
- ▶ PROFILES



SECTIONS

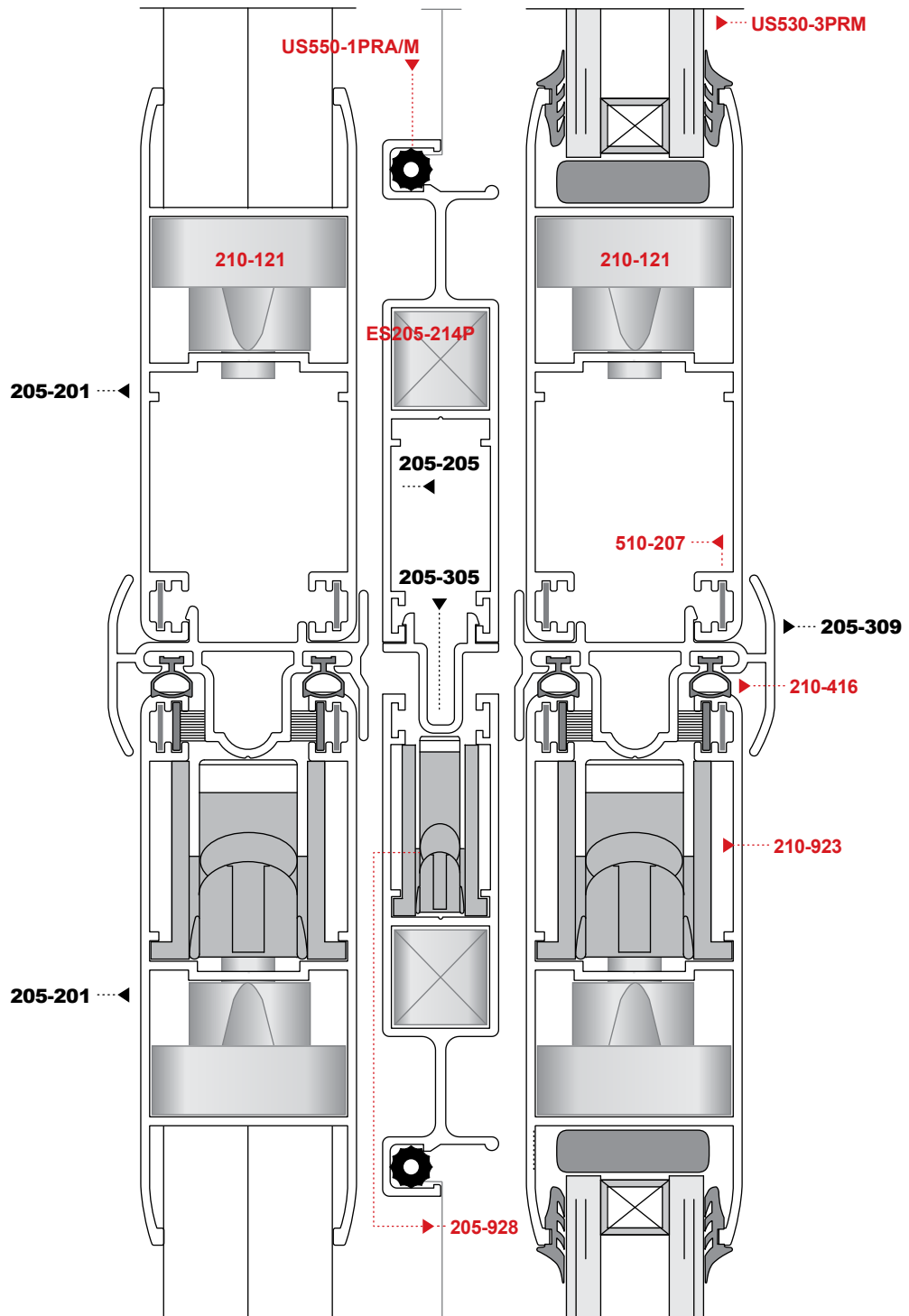
Scale 1:1

HORIZONTAL SECTION OF DOUBLE
FLUSH-FITTED SASH WITH FLY SCREEN
& SHUTTER



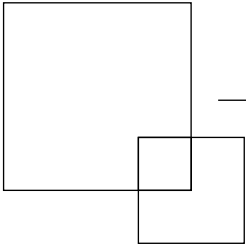
- ▶ ACCESSORIES
- ▶ PROFILES

SECTION Γ-Γ'

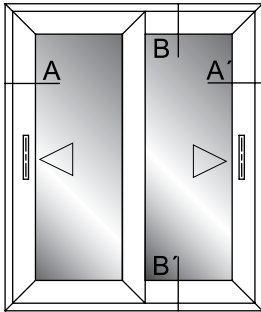


AL205
ALUMINIUM SYSTEMS

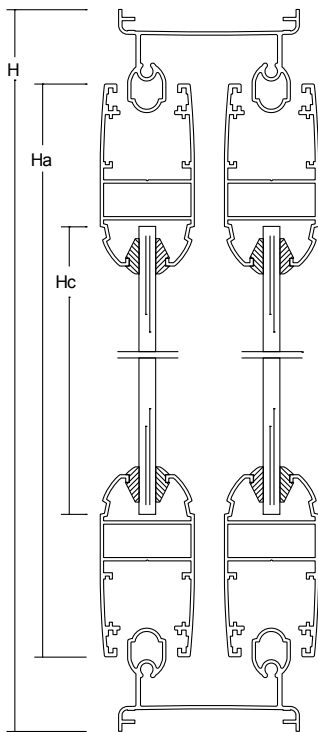
CUTTING CALCULATIONS



CUTTING CALCULATIONS

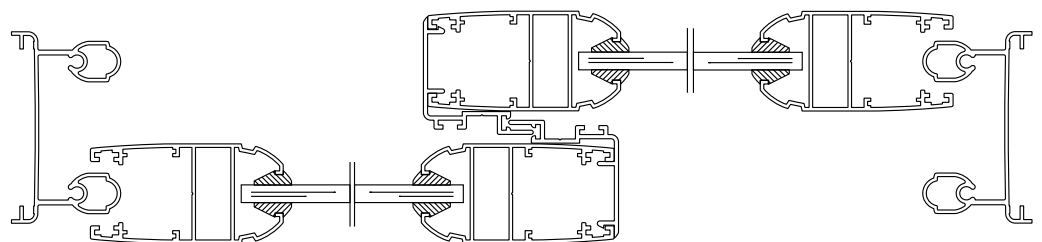


DOUBLE OVERLAPPING SASHES CUTTING CALCULATIONS



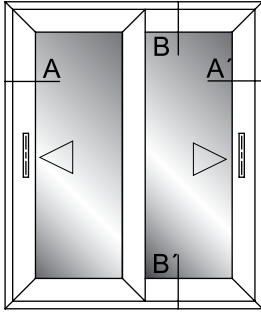
SECTION B-B'

DOUBLE OVERLAPPING SASHES CUTTING CALCULATIONS			
CODE	PROFILE	HEIGHT (H)	WIDTH (L)
210-124		PCS = 2 	PCS=2
210-204		Ha=H-48 PCS=4	La=(L+12)/2 PCS.=4
210-304		Ha=H-48 PCS/PCS=2	
GLASS	PCS=1 	Hc=Ha-100	Lc=La-100



SECTION A-A'

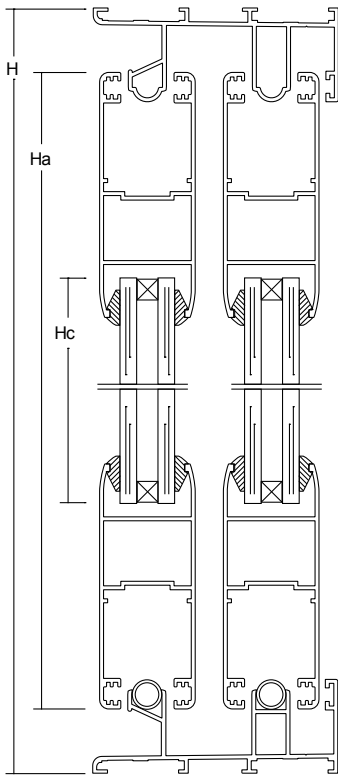
CUTTING CALCULATIONS



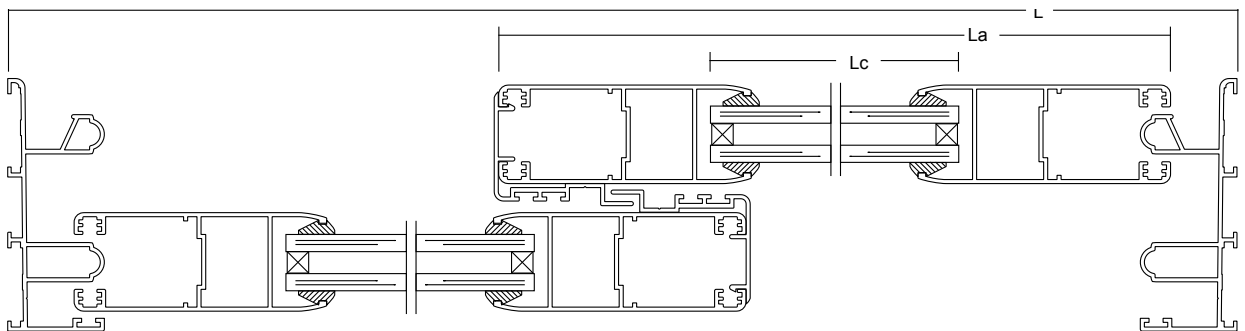
DOUBLE OVERLAPPING SASHES CUTTING CALCULATIONS

DOUBLE OVERLAPPING SASHES CUTTING CALCULATIONS

CODE	PROFILE	HEIGHT (H)	WIDTH (L)
205-121		PCS=2	PCS=1
205-122			PCS=1
ES210-801		PCS=2	Le=L-42
205-201		Ha=H-42 PCS=4	La=(L+38)/2 PCS=4
205-301		He=H-42 PCS=2	
GLASS	PCS=2 	Hc=Ha-138	Lc=La-138

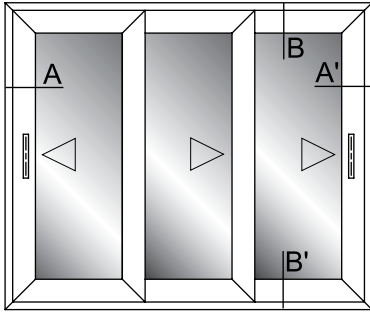


SECTION B-B'



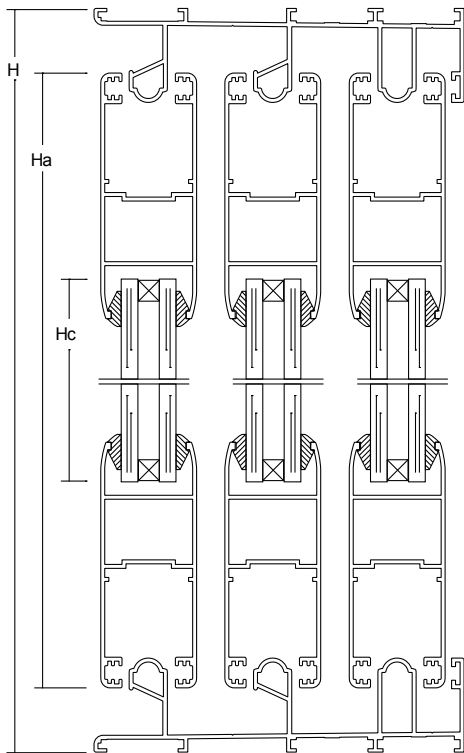
SECTION A-A'

CUTTING CALCULATIONS

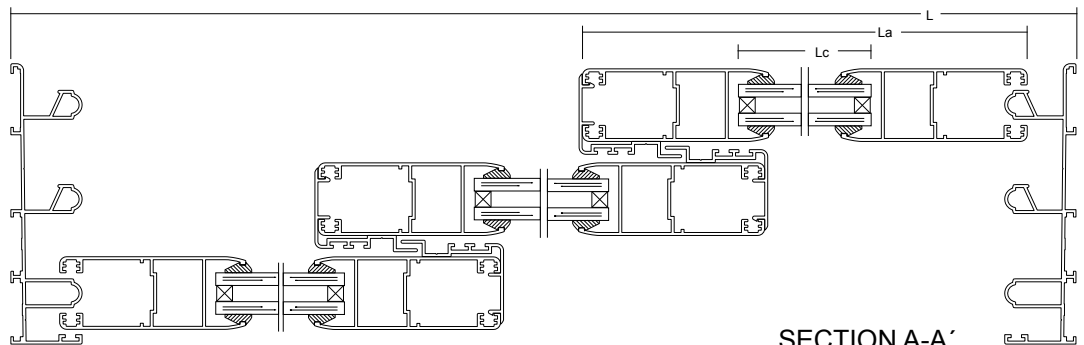


TRIPLE OVERLAPPING SASHES CUTTING CALCULATIONS

TRIPLE OVERLAPPING SASHES CUTTING CALCULATIONS			
CODE	PROFILE	HEIGHT (H)	WIDTH (L)
205-121		PCS=2	PCS=2
205-201		Ha=H-42 PCS=6	La=(L+118)/3 PCS=6
205-301		He=H-42 PCS=2	
GLASS	PCS=2 	Hc=Ha-138	Lc=La-138

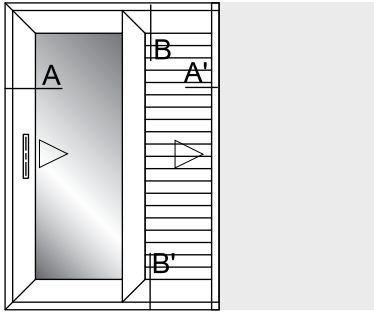


SECTION B-B'

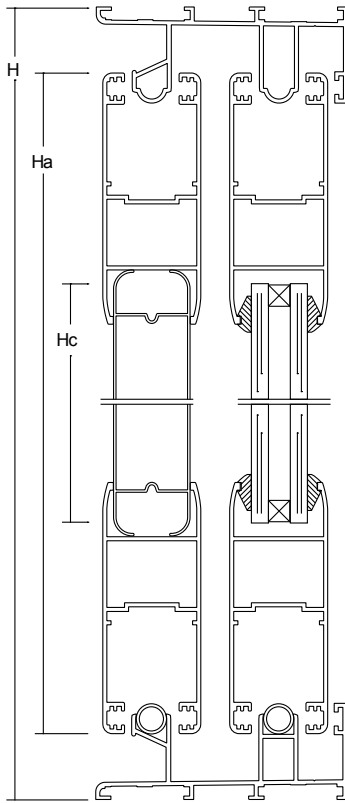


SECTION A-A'

CUTTING CALCULATIONS



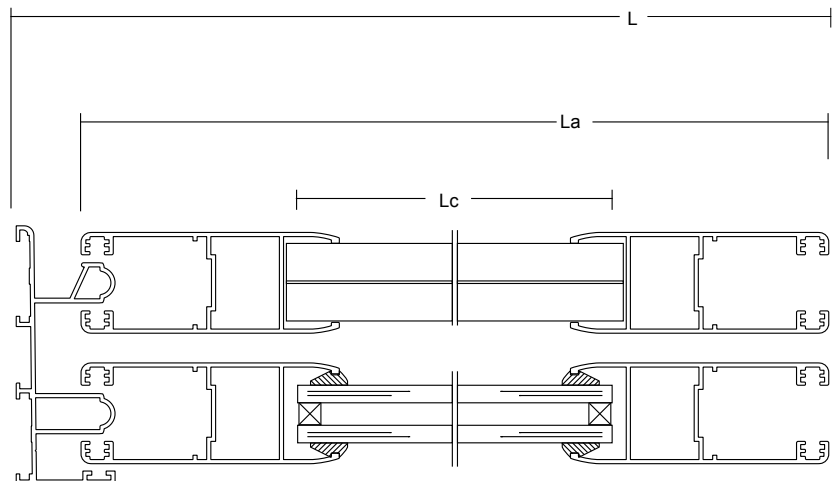
FLUSH-FITTED SASH CUTTING CALCULATIONS



SECTION B-B'

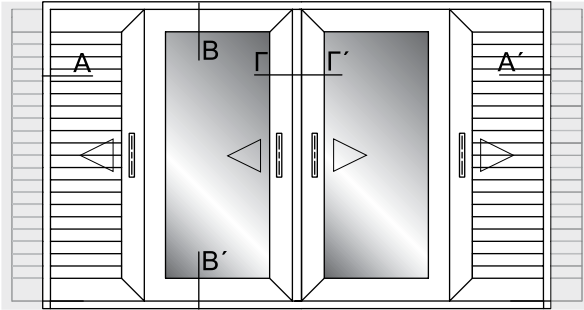
FLUSH-FITTED SASH CUTTING CALCULATIONS

CODE	PROFILE	HEIGHT (H)	WIDTH (L)
205-121		PCS=1	L+300 PCS=1
205-122			Lx2 PCS=1
ES210-801		PCS=2	Le=2L-21
205-201		Ha=H-42 PCS=4	La=L-42 PCS=4
210-804 210-732		Hg=H PCS=2	
GLASS	PCS=2 	Hc=Ha-138	Lc=La-138

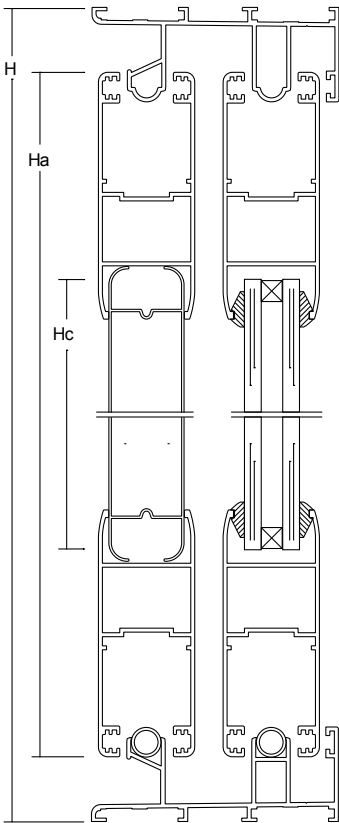


SECTION A-A'

CUTTING CALCULATIONS



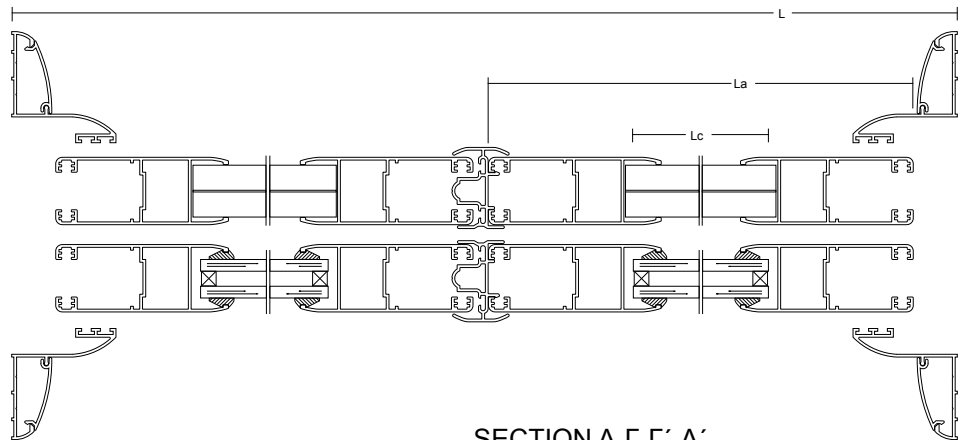
DOUBLE FLUSH-FITTED SASH CUTTING CALCULATIONS



SECTION B-B'

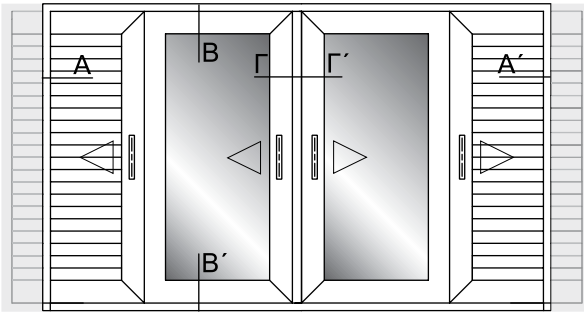
DOUBLE FLUSH-FITTED SASH CUTTING CALCULATIONS

CODE	PROFILE	HEIGHT (H)	WIDTH (L)
205-121			L+600 PCS=1
205-122			Lx2 PCS=1
ES210-801		PCS=2	Le=2L-42
205-201		Ha=H-42 PCS=8	La=(L-49)/2 PCS=4
210-804 210-732		Hg=H PCS=4	
205-309		Hk=H-78 PCS=2	
GLASS		Hc=Ha-138	Lc=La-138

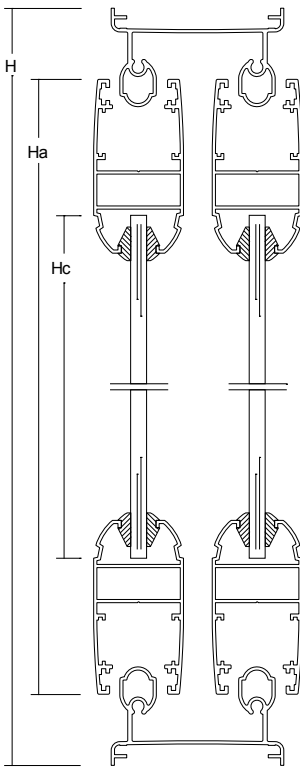


SECTION A-Γ-Γ'-A'

CUTTING CALCULATIONS

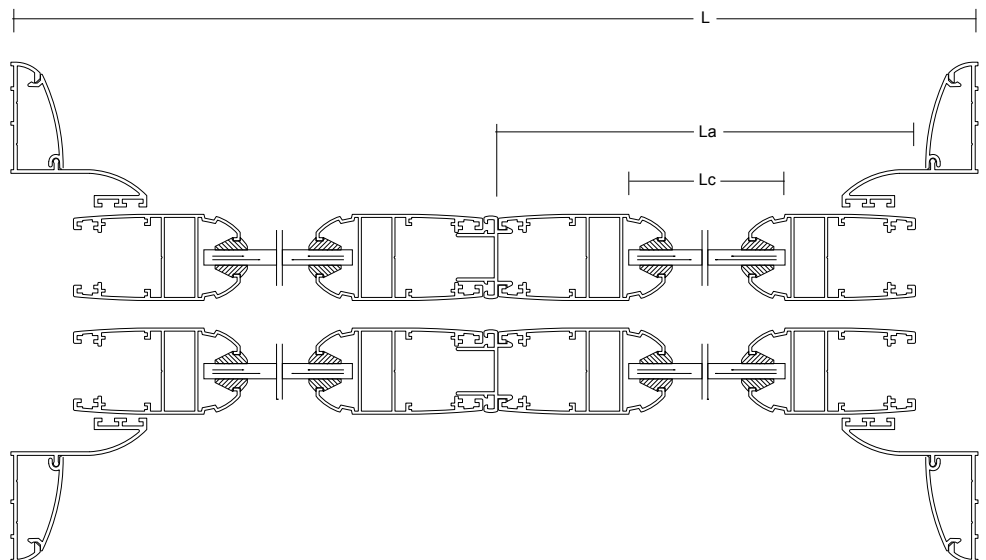


DOUBLE FLUSH-FITTED SASH CUTTING CALCULATIONS



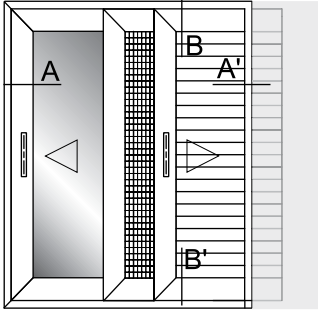
SECTION B-B'

DOUBLE FLUSH-FITTED SASH CUTTING CALCULATIONS			
CODE	PROFILE	HEIGHT (H)	WIDTH (L)
210-124			L+600 PCS=1
210-124			Lx2 PCS=1
210-204		Ha=H-48 PCS=8	La=(L-54)/2 PCS=8
210-804 210-732		Hg=H PCS=2	
210-306		He=H-48 PCS=2	
GLASS	PCS=1 	Hc=Ha-100	Lc=La-100

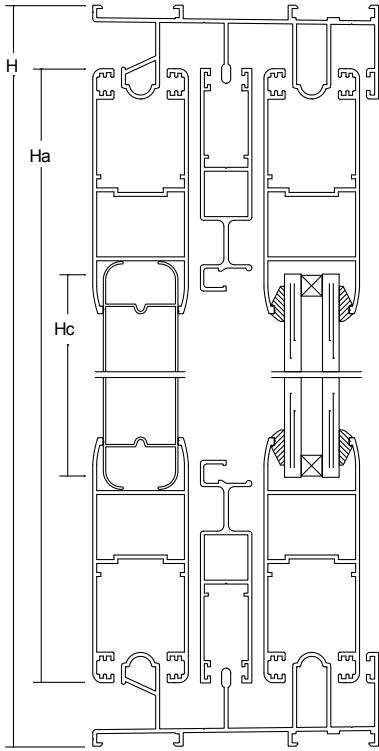


SECTION A-Γ-Γ'-A'

CUTTING CALCULATIONS

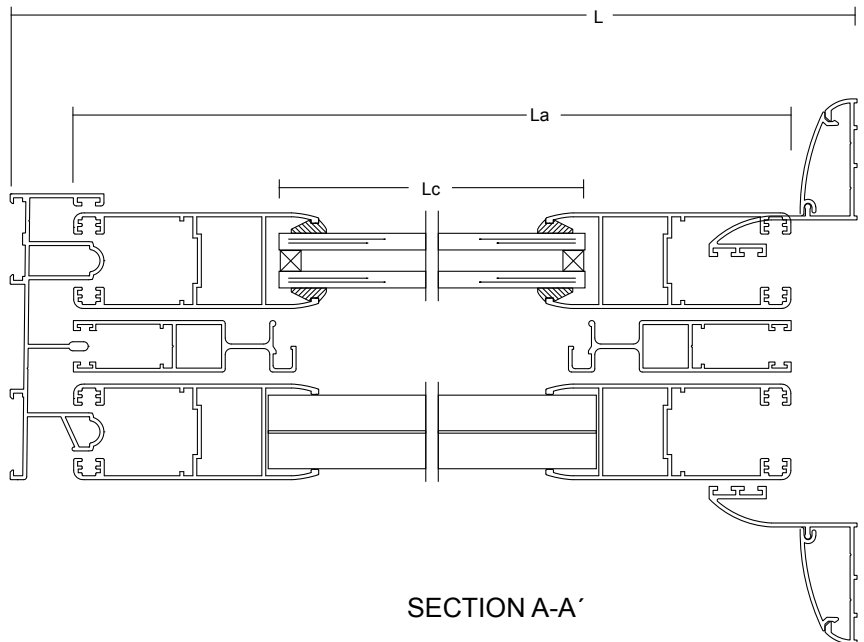


**FLUSH-FITTED SASH CUTTING CALCULATIONS
(GLASS-FLY SCREEN-SHUTTER)**



SECTION B-B'

FLUSH-FITTED SASH CUTTING CALCULATIONS			
CODE	PROFILE	HEIGHT (H)	WIDTH (L)
205-121		PCS=1	L+300 PCS=2
205-201		Ha=H-42 PCS=4	La=L-42 PCS=4
205-205		Ha=H-42 PCS=2	La=L-42 PCS=2
210-804 210-732		Hg=H PCS=2	
ΓΕΜΙΣΜΑ GLASS	PCS=2 	Hc=Ha-138	Lc=La-138



SECTION A-A'



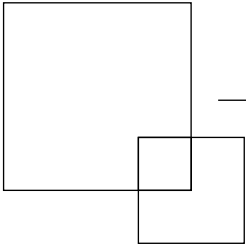
ALUMINCO
ALUMINIUM BUILDING SYSTEMS



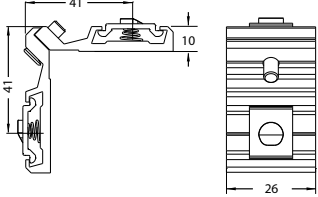
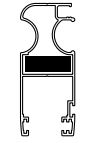
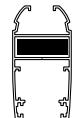
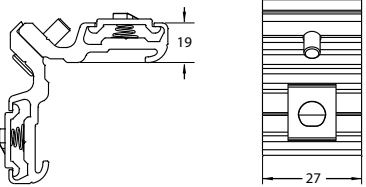
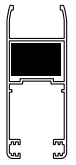
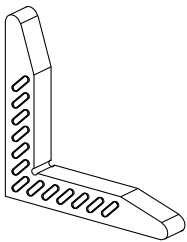

AL205
ALUMINIUM SYSTEMS



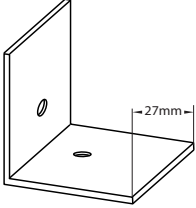


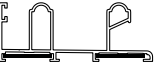
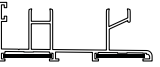


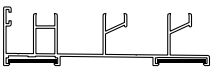
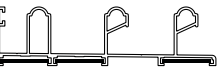
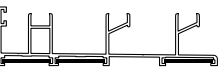

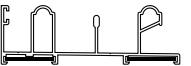
ACCESSORIES

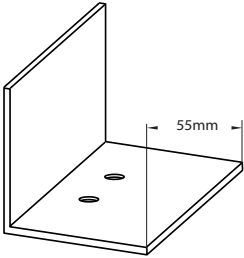



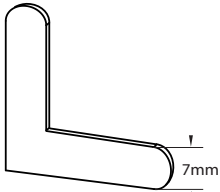
ACCESSORIES - CORNERS

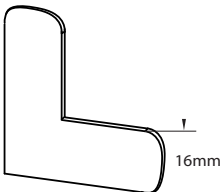
<p>CODE: EA 410-108U</p>	<p>DESCRIPTION: ASSEMBLY ANGLE (26x10)mm</p>	
	 <p>205-206</p>	 <p>210-204</p>
<p>PACKAGE: 100 PCS</p>		
<p>CODE: EA 210-121</p>	<p>DESCRIPTION: ASSEMBLY ANGLE (27x19)mm</p>	
	 <p>205-201</p>	
<p>PACKAGE: 80 PCS</p>		
<p>CODE: ES 205-214P</p>	<p>DESCRIPTION: ALIGNMENT CORNER 7,3x2,8mm</p>	
	 <p>205-205</p>	
<p>PACKAGE: 2500 PCS</p>		

ACCESSORIES - CORNERS







<p>CODE: ES 210-130U</p>	<p>DESCRIPTION: CORNER JOINT FOR RAILS (27x3)mm</p>		
	 205-111	 205-113	 205-121
	 205-122	 205-123	 205-131
	 205-132	 205-133	 205-134
	 205-135	 205-137	
<p>PACKAGE: 760 PCS</p>			

<p>CODE: ES 210-131U</p>	<p>DESCRIPTION: CORNER JOINT FOR RAILS (55x3)mm</p>	
	 210-124	
<p>PACKAGE: 150 PCS</p>		

	<p>DESCRIPTION: ALIGNMENT ANGLE</p> <p>CODE: EA 510-207I INOX 7mm (20x250PCS) EA 510-207U GALVANIZED 7mm (40x100PCS)</p>
---	--

	<p>DESCRIPTION: ALIGNMENT ANGLE 2000pcs</p> <p>CODE: EA 410-216I INOX 16mm EA 410-216U GALVANIZED 16mm</p>
---	--


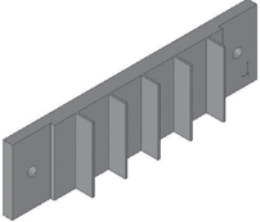
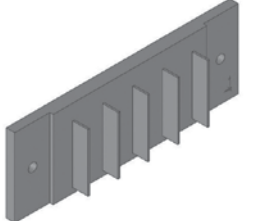

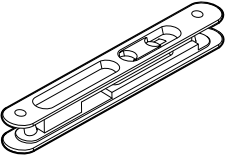
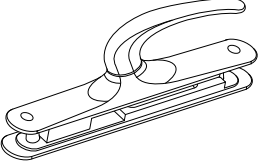
GASKETS / ROLLERS

	<p>CODE: US530-1PRM 1mm US530-2PRM 2mm US530-3PRM 3mm US530-4PRM 4mm US530-5PRM 5mm US530-6PRM 6mm US530-7PRM 7mm</p>	<p>DESCRIPTION: GLAZING GASKET</p> <p>PACKAGE: 10kg</p>
	<p>CODE: ES 210-416</p>	<p>DESCRIPTION: GASKET FOR CLIP ON HOOK 210-300/311/312</p> <p>PACKAGE: 300 m</p>
	<p>CODE: US550-3PRA/M</p>	<p>DESCRIPTION: GASKET FOR FLY SCREEN SASH 205-206, US 506-1FSA/M/G, 210-903, 99-166</p> <p>PACKAGE: 7kg</p>
	<p>CODE: ES 210-321 ES 210-310</p>	<p>DESCRIPTION: ROLLER FOR SASH 205-206, 210-204</p> <p>PACKAGE: 100 PCS</p>
	<p>CODE: ES 210-325 ES 210-315</p>	<p>DESCRIPTION: ROLLER FOR SASH 205-201</p> <p>PACKAGE: 50 PCS</p>
	<p>CODE: ES205-310P</p>	<p>DESCRIPTION: SINGLE ROLLER FOR SASH 205-205</p> <p>PACKAGE: 100 PCS</p>

VARIOUS ACCESSORIES

	<p>CODE: EA 210-831</p>	<p>DESCRIPTION: PLASTIC PLUG FOR OVERLAPPING</p> <p>PACKAGE: 2500 PCS</p>
	<p>CODE: ES 205-865</p>	<p>ΠΕΡΙΓΡΑΦΗ: ΤΑΠΑ ΓΙΑ ΜΠΙΝΙ 205-309 DESCRIPTION: END COVER FOR 205-309</p> <p>PACKAGE: 300 pairs</p>
	<p>CODE: ES 210-922</p>	<p>DESCRIPTION: PLASTIC STOPPER FOR SASHES 210-204</p> <p>PACKAGE: 400 PCS</p>
	<p>CODE: ES 210-923</p>	<p>DESCRIPTION: PLASTIC STOPPER FOR SASHES 205-201</p> <p>PACKAGE: 300 PCS</p>
	<p>CODE: ES 210-926</p>	<p>DESCRIPTION: PLASTIC STOPPER FOR SASHES 205-206</p> <p>PACKAGE: 500 PCS</p>
	<p>CODE: ES205-928M</p>	<p>DESCRIPTION: PLASTIC STOPPER FOR SASHES 205-205</p> <p>PACKAGE: 200 PCS</p>

VARIOUS ACCESSORIES

	<p>CODE: EA 410-846M</p>	<p>DESCRIPTION: SPACER FOR 245-013 PROFILE</p> <p>PACKAGE: 1000 PCS</p>
	<p>CODE: ES 205-913</p>	<p>DESCRIPTION: CENTRAL WEATHERPROOF FOR OVERLAPPING 28mm FOR 210-024</p> <p>PACKAGE: 500 PCS (50x10)</p>
	<p>CODE: ES 205-914</p>	<p>DESCRIPTION: CENTRAL WEATHERPROOF FOR OVERLAPPING 40mm FOR 210-124</p> <p>PACKAGE: 400 PCS (40x10)</p>
	<p>CODE: US 505-1FSA/M/G 5mm US 506-1FSA/M/G 6mm US508-1FSA/M/G 8mm US510-1FSA/M/G 10mm US512-1FSA/M/G 12mm</p>	<p>DESCRIPTION: BRUSHES</p>
	<p>CODE: US120-1PLA/I/X</p>	<p>DESCRIPTION: SLIDING DOOR LOCK</p> <p>PACKAGE: 50 PCS</p>
	<p>CODE: US220-1PLA/I/X</p>	<p>DESCRIPTION: SLIDING DOOR LOCK WITH HANDLE</p> <p>PACKAGE: 50 PCS</p>

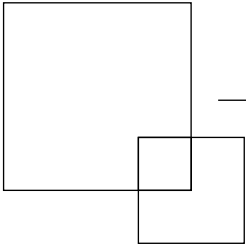
ACCESSORIES - LOCKS

	<p>CODE: US710-1SIA/M/S/T</p>	<p>DESCRIPTION: SLIDING DOOR LOCK WITH HANDLE</p> <p>PACKAGE: 100 PCS</p>
	<p>CODE: ES210-730A/I/X</p>	<p>DESCRIPTION: SLIDING DOOR LOCK</p> <p>PACKAGE: 50 PCS</p>
	<p>CODE: ES 210-501K</p>	<p>DESCRIPTION: LOCK KIT FOR SASH 205-201</p> <p>PACKAGE: 50 PCS</p>
	<p>CODE: A) ES 205-754U B) ES 205-756U</p>	<p>DESCRIPTION: A) 4 LOCKS ROD FOR SASH 205-201 B) 6 LOCKS ROD FOR SASH 205-201</p> <p>PACKAGE: 1 PCS</p>
	<p>CODE: A) ES 205-752I B) ES 205-753I</p>	<p>DESCRIPTION: A) 2 LOCKS INOX ROD B) 3 LOCKS INOX ROD</p> <p>PACKAGE: 1 PCS</p>

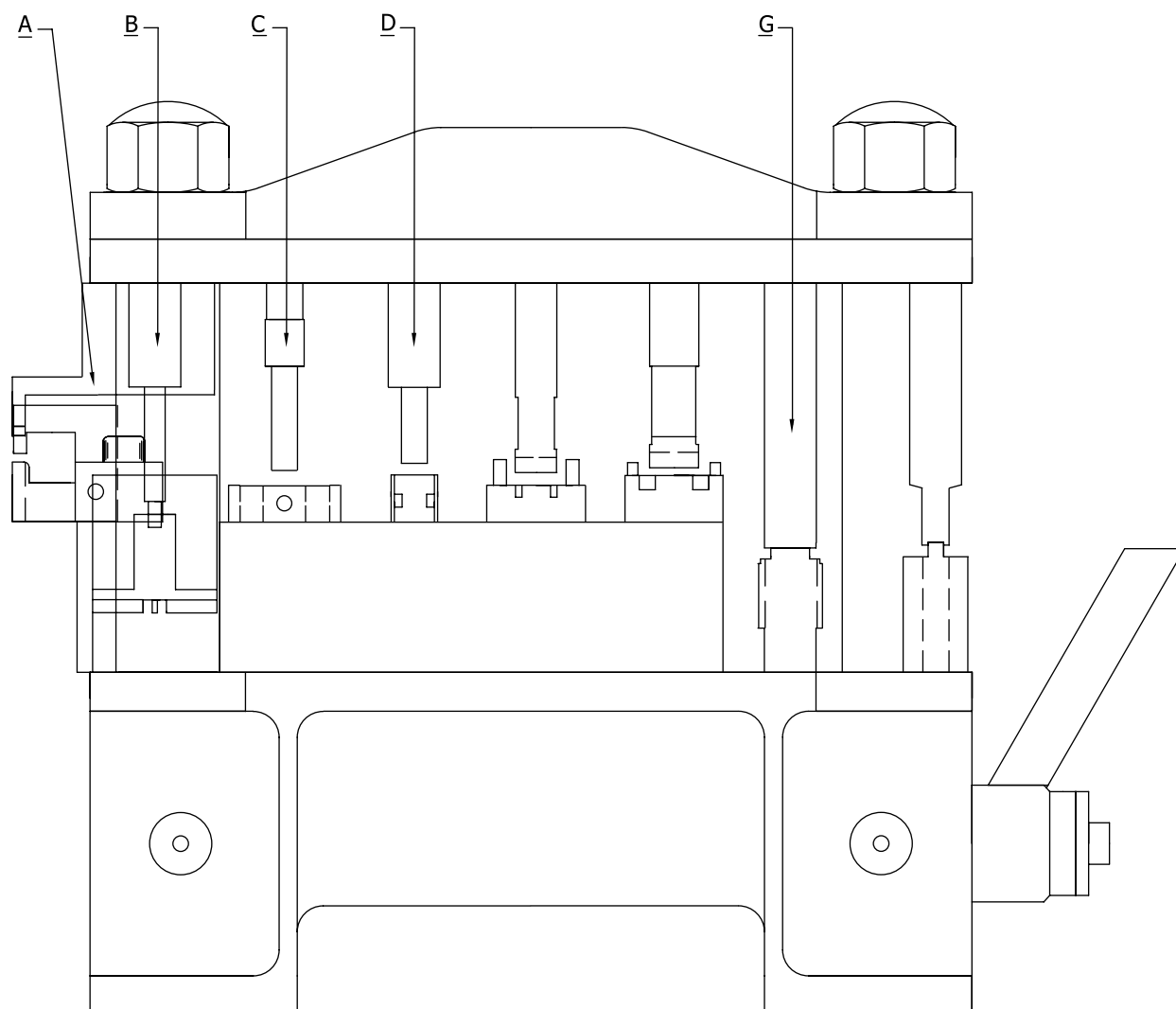


AL205
ALUMINIUM SYSTEMS

SYSTEM TOOLS
& COMPOSITION MATERIALS



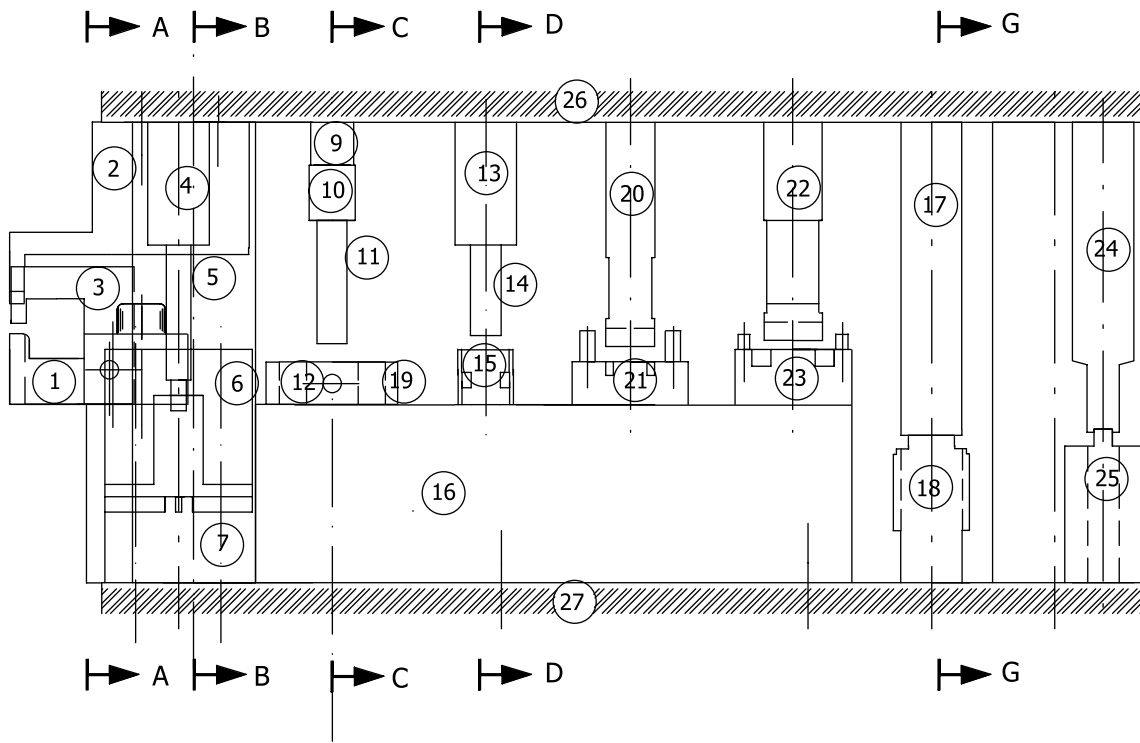
MANUAL PUNCH MACHINE FOR SLIDING



EA 010-13PSD

A.	PERFORATION FOR WEEP HOLE
B.	PERFORATION FOR RAILS
C.	PERFORATION FOR CORNER JOINT ON SASH
D.	PERFORATION FOR CORNER JOINT ON FLY SCREEN SASH
G.	PERFORATION FOR SASH CHANNEL (WIDE)

MANUAL PUNCH MACHINE FOR SLIDING



A/A	Description
1=3	CUTTING TOOL FOR WEEP HOLE (LOWER)
2	CUTTING TOOL FOR WEEP HOLE (UPPER)
4=5	CUTTING TOOL FOR RAILS (UPPER)
6=7	CUTTING TOOL FOR RAILS (LOWER)
9	ADDITION FOR CUTTING TOOL FOR CORNER JOINT (UPPER)
10=11	CUTTING TOOL FOR CORNER JOINT (UPPER)
12	CUTTING TOOL FOR CORNER JOINT (LOWER)
13=14	CUTTING TOOL FOR FLY SCREEN CORNER JOINT (UPPER)
15	CUTTING TOOL FOR FLY SCREEN CORNER JOINT (LOWER)
16	SUPPORT BLOCK FOR CUTTING TOOL (LARGE)
17	CUTTING TOOL FOR SASH CHANNEL WIDE (UPPER)
18	CUTTING TOOL FOR SASH CHANNEL WIDE (LOWER)
19	STAPLER - WEDGE
20	CUTTING TOOL FOR CENTRAL ADAPTER (UPPER)
21	CUTTING TOOL FOR CENTRAL ADAPTER (LOWER)
22	CUTTING TOOL FOR CENTRAL ADAPTER (UPPER)
23	CUTTING TOOL FOR CENTRAL ADAPTER (LOWER)
24	CUTTING TOOL FOR SASH CHANNEL NARROW (UPPER)
25	CUTTING TOOL FOR SASH CHANNEL NARROW (LOWER)
26	COVER
27	BODY

INSTRUCTIONS FOR THE CONSTRUCTION OF FRAMES

- Fabricator should always have all the necessary technical documentation, manuals and catalogs of systems that describe all the details of any type of construction.
- Fabricator should be aware of the possibilities of profiles in order to provide the appropriate solutions for each case at the client.
- Fabricator should have all the necessary tools and machinery in order to produce high quality products.
- Milling and machining on profiles must be executed with absolute precision based on the instructions of the technical manuals.
- At the cutting points (piercing) of profiles is necessary to use protective materials (Bourgal), to avoid the appearance of electrolysis.
- At the assembly of profiles is necessary to use sealant (polyurethane adhesive) in order to seal the profiles from any water inflows and air.
- Fabricator should always use all the necessary accessories and mechanisms recommended by the company to ensure the quality and proper functionality of the frames.
- At the construction and installation of the frames, screws should be of stainless steel or galvanized to prevent corrosion.
- Fabricator should open all the necessary weep holes in a frame for runoff water. The number of weep holes depend on the orientation and dimensions of the frame. (See technical manual).
- Fabricator should use cyanoacrylate glue to the contact points of gasket.
- Fabricator must properly support (shims application) the glazing, with plastic shims, at the projected points for the proper function of the frame. (See technical manual).
- Fabricator should select and place subframe depending on the typology of each frame for the proper support of the frame.
- Fabricator should estimate a perimeter joint between the frame and subframe of 2,5-3mm for non-thermal break systems and 5-6mm for thermal break systems.
- Fabricator must choose the correct sealing materials during installation. More specifically:
 1. We place neutral silicone or polyurethane sealant at the bottom, inner and outer of the frame, between frame and sill.
 2. We place acrylic putty both sides and on the top inner and outer of the frame, between the frame and the wall. Painting in acrylic putty is necessary.

Attention: The surfaces (frame, sill & wall) must be clean and dry for the effective adhesion of insulating materials.

For any questions on technical matters, contact the technical department of the company.

INSTRUCTIONS FOR PROTECTION & MAINTENANCE OF FRAMES

Aluminium systems are characterized by high resistance to weather conditions and time.

To ensure and maintain good function and timeless beauty, it is necessary to follow the simple but basic below rules for proper maintenance and cleaning:

- Aluminium profiles must be cleaned at regular basis.
- In industrial or coastal areas, cleaning must be done more often and with great meticulousness.
- At the time of cleaning is recommended to use water and cleaners with a neutral pH.
- Alkaline materials such as cement, lime and plaster should not remain, at any time, on the aluminium surface.
- Immediately after the installation of frames, the protective film must be removed from the surface of aluminium, where its exposure to sunlight may cause a serious damage.
- The moving parts, mechanisms and gaskets should be cleaned and lubricated with silicone spray periodically.
- In any case, a full maintenance control of aluminium systems - once a year - is necessary from a professional fabricator.

Available aluminium systems



AL 200



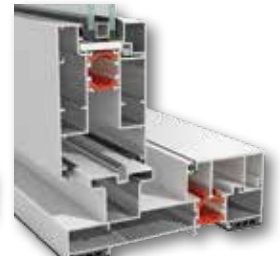
AL 205



AL 220



AL 230



AL 250



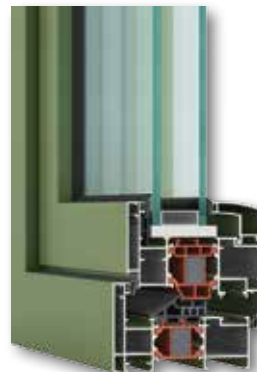
AL 410



AL 450



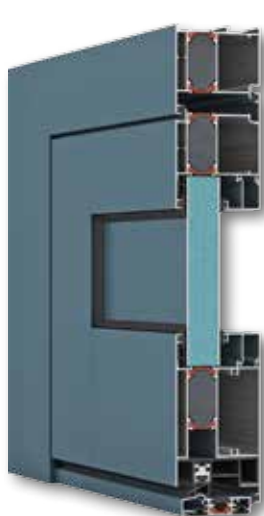
AL 510



**AL 570
Dynamic Plus**



**AL 570
Dynamic**



**AL 590
24mm Polyamide**



**AL 590
16mm Polyamide**



**EW 50
Curtain Wall**



**SR 750
Rolling Shutter**

General Information

- This catalog has been compiled with the greatest of care. The company cannot be responsible for any technical, printing or spelling errors that may occur.
- **The latest version of this catalog is available at the official website of the company.**
- The company has a full range of catalogs for all products. Order or download free the catalog you are interested in from the official website aluminco.com.
- Register now to aluminco.com and find the latest news, new applications and studies of ALUMINCO.



The date of issue of this catalog is written at the back cover.



Sliding System



11/2015

Aluminium Building Systems Industry - 320 11 Inofita Viotia - Greece
tel. +30 22620 47000 - fax +30 22620 47090 - info@aluminco.com, exports@aluminco.com